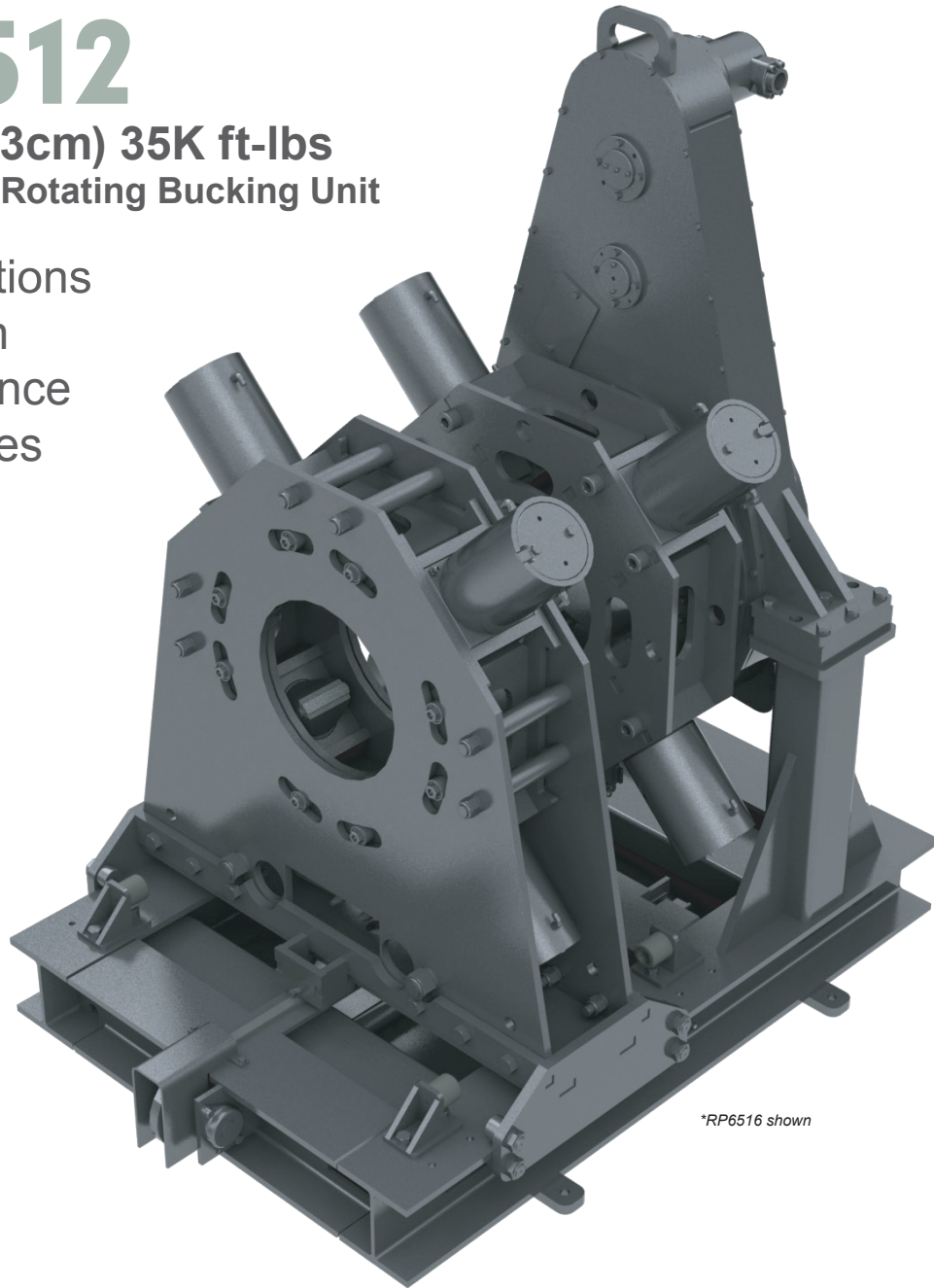




# RP6512

12 3/4" (32.3cm) 35K ft-lbs  
Continuously Rotating Bucking Unit

- Specifications
- Operation
- Maintenance
- Assemblies



\*RP6516 shown

[mccoyglobal.com](http://mccoyglobal.com)

*© Copyright 2010-2012 McCoy Corporation, including its wholly owned subsidiaries, ("McCoy"), all rights reserved. This document is the property of McCoy and is supplied as reference information for users of our products. This document and the contents within are considered confidential information, not to be disclosed, copied, transmitted, transcribed in any form, or stored on any type of data storage media without the express written consent of McCoy.*

*McCoy has made every effort to ensure the information contained in this document is accurate and current. This manual is intended to provide equipment operation and safety instructions for your equipment. However, McCoy does not warrant or guarantee that the information is either complete or accurate in every respect and the user of the manual should consult with its McCoy sales representative for any clarifications and updates.*

*The user of the manual shall protect, indemnify, and hold harmless McCoy and its directors, officers, employees, and agents from and against all liability for personal injury, death, or property damage resulting directly or indirectly from the use of the information contained in this manual.*

*Observance of all descriptions, information and instructions set out in this manual is the full responsibility of the user. This manual is intended for guidance and informational purposes and must be used in association with adequate training and on-the-job supervision to provide safe and effective equipment use.*

*It is the responsibility of the user to conform to all regulations and requirements issued by an authority or agency which may affect the operation, safety or equipment integrity, that may overrule the content of this documentation.*

*The user will acknowledge and obey any general legal or other mandatory regulation in force relating to accident prevention, safety, and equipment integrity.*

## Table of Contents

<b>Section I</b> .....	
General Description .....	2
Safety Guidelines .....	2
<b>Section II</b> .....	
Installation .....	2
Start Up .....	2
<b>Section III</b> .....	
Operation .....	2
Make-up .....	2
Break-out .....	2
<b>Section IV</b> .....	
Maintenance .....	3
Daily .....	3
Monthly .....	3
Annually .....	3
<b>Section V</b> .....	
Hydraulic Power Unit .....	3
<b>Section VI</b> .....	
Specifications .....	3
Electric Motor .....	3
Hydraulic Oil .....	3
Chucking Capacity .....	3
Torque Capacity .....	3
Lubrication Specifications .....	4
<b>Section VII</b> .....	
Bucking Unit Hydraulic Schematic .....	5
Control Console Hydraulic Schematic .....	6
Control Console Electric Schematic .....	7
Electric Proportional Schematic .....	8
Power Unit Hydraulic Schematic .....	9
<b>Section VIII</b> .....	
Assembly Drawings .....	11
<b>Section IX</b> .....	
Troubleshooting .....	41

## **SECTION I**

### **GENERAL DESCRIPTION:**

Your **CLINCHER®** Bucking Unit is a rugged, self-contained, continuously rotating unit designed to accurately make-up or break-out the threaded connections on tubular components such as oil and gas well drilling tools, casing, tubing, and similar equipment. The unit will accurately make-up and break-out thread connections without damage to the thread.

### **Recommended Safety Guidelines**

The safety guidelines that follow are recommended by McCoy Drilling & Completions, and are in no way intended to supersede the specific health and safety regulations and guidelines of our client's workplace. Workplace rules and regulations are the responsibility of the client.

#### **A. Work Apparel**

To ensure employee safety, it is recommended that the following PPE (Personal Protective Equipment) be worn when using and working around hydraulic equipment:

##### **1. Eye Protection (safety glasses)**

To avoid risk of eye damage due to:

- fracture/failure of die inserts under load
- fracture/failure of tool under load
- failure of hydraulic hose or component under pressure

##### **2. Ear Protection (ear plugs)**

To prevent hearing damage due to:

- electric motor and hydraulic systems noise
- sudden and loud noises that may occur during the work process

##### **3. Head Protection (hard hat)**

To reduce danger due to:

- overhead cranes and hooks
- fracture/failure of die inserts under load
- fracture/failure of tool under load

##### **4. Hand Protection (leather gloves)**

To avoid danger due to:

- metal slivers on the tool or dies produced during the work process
- chemicals used during the work process
- failure of hydraulic hose or components under pressure

##### **5. Foot Protection (steel-toed boots)**

To prevent injury due to:

- falling or rolling work pieces

## **SECTION II**

### **INSTALLATION:**

**CAUTION:** Before lifting the unit with a forklift, the tailstock must be moved to its maximum extended position along the bed of the unit to assure the equipment remains balanced during the lifting process.

1. Inspect unit carefully for shipping damage or missing parts.
2. Position unit on a fairly flat and level floor leaving sufficient clearance on both ends to allow the insertion and removal of the longest tools expected to be serviced.
3. Anchor the unit in place.
4. Clean hydraulic hoses and quick disconnects.
5. Attach all hoses that connect the control console to the Bucking Unit.
6. Fill hydraulic reservoir with recommended hydraulic fluid filtered using 3 micron filter system. Filler cap/breather

is accessible on left side of unit. Level indicator may be viewed through a window in front.

7. Verify suction valve is open if present.
8. Fill pump case with filtered hydraulic oil before connecting power.
9. **CAUTION:** Check that main power supply matches name plate rating on motor in control console. Use of an incompatible power source will result in equipment damage and will void warranty.
10. Connect power supply.
11. Check motor rotation by jogging start/stop switch quickly. Reference the rotation plaque attached to the power unit. If rotation is incorrect, switch any two-phase wires at motor starter.

### **START UP:**

1. Ensure both pressure relief valves are fully rotated counter-clockwise to reduce pressure to minimum.
2. Start motor and check for oil leaks in console. Hold back Backup Clamp Cylinder control lever in Open/Retract position and adjust Clamp Pressure Control until system pressure reads 1,000 psi. Cycle all valves fully several times to completely purge all air from the system.
3. Check Bucking Unit and Hydraulic Power Unit for leaks.
4. Check reservoir for proper fluid levels. Add filtered hydraulic fluid if level is below sight glass when all cylinders are extended. Fill until fluid level reaches midpoint in sight glass. If fluid level is below sight glass level, unit will not operate.

## **SECTION III**

### **OPERATION**

The E-Stop is located on the control console, and must be pulled out for the unit to operate. Locate the start button on the motor starter. Push to start main drive motor.

1. Start the motor.
2. Move Tong Make Up / Break Out lever in either direction until the power tong completes a rotation.
3. Hold Tailstock Clamp / Unclamp lever in the Unclamp position and adjust Clamp Pressure Control until system pressure reads 1,000 psi. Cycle all levers fully several times to completely purge all air from the system.
4. Position work-piece near center of Headstock, shift the Tailstock Clamp / Unclamp lever to the Clamp position. Tailstock Clamp / Unclamp control lever must be left in the 'Clamp' position while work-piece is in machine.
5. Position Tailstock as close as possible to tong, allowing required space for thread travel. **CAUTION:** If adequate space is not left to accommodate thread travel, the backup will contact the tong, potentially damaging the equipment or tubular connection. Such damage is not covered by the warranty.
6. Shift Headstock Clamp / Unclamp lever into Clamp position.
7. Using Tong Make Up / Break Out control lever, apply make-up or break-out torque, then rotate headstock.

### **MAKE-UP**

When making up connections, set relief valve to proper setting before rotating headstock.

### **BREAK-OUT**

Set relief valve to proper setting before rotating headstock.

## SECTION IV

### MAINTENANCE

#### DAILY:

1. With all clamp cylinders fully extended, check hydraulic reservoir oil level on sight glass on front of console. Fill with filtered hydraulic fluid if needed until level reaches midpoint on sight glass.
2. Inspect die inserts. Clear any debris from around clamp cylinders.

#### WEEKLY:

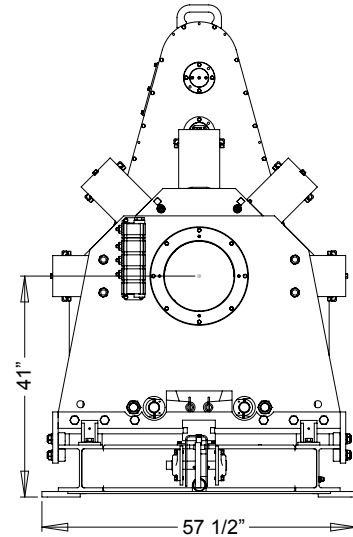
1. Remove dies and inspect jaw retainer bolt torque. Torque should be set to 180 ft-lbs.

#### MONTHLY:

1. Grease fittings.

#### ANNUALLY (or following any system repair):

1. Drain and clean hydraulic reservoir. Analyze contamination / quality status of hydraulic oil (with the use of an analysis kit or by other third party means). Filter / replace oil as required.
2. Remove and clean suction strainer.
3. Refill reservoir with new filtered hydraulic oil.

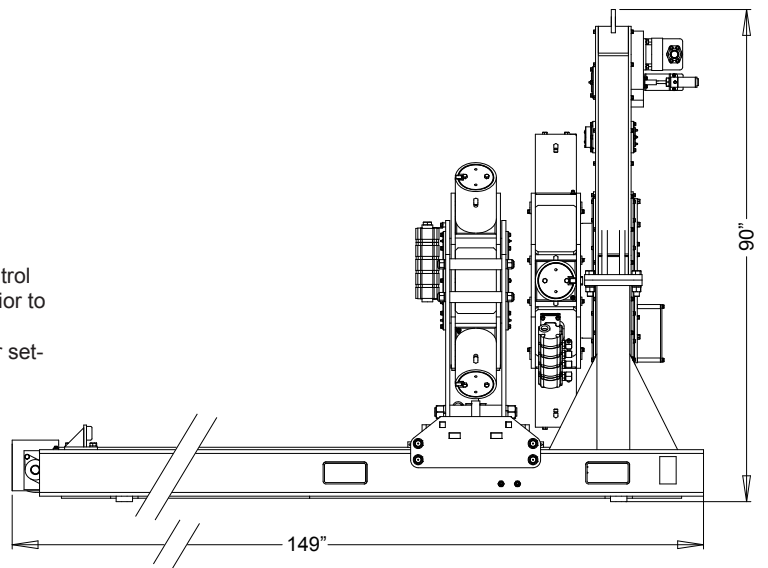


## SECTION V

### HYDRAULIC POWER UNIT

The hydraulic power unit incorporates a number of pressure control and relief valves. These valves are correctly adjusted and set prior to shipment from our factory.

**CAUTION:** Adjusting internal relief valves or pump compensator settings will void warranty.



## SECTION VI

### SPECIFICATIONS

#### Console / Power Unit:

Electric Motor:	50 Horsepower, 480 Volt, 3 phase, 60 Hertz
Hydraulic Oil:	AW-68
Hyd. Oil Capacity:	90 gal.
Overall Length:	42"
Overall Width:	85"
Overall Height:	52"
Weight (approx.):	3,000 lbs.

#### Bucking Unit:

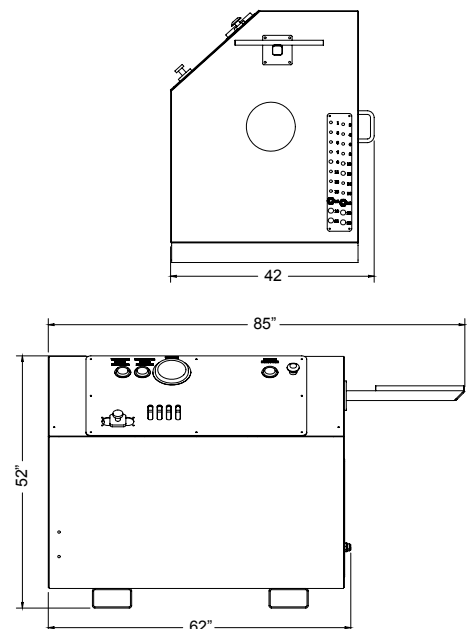
Max. Torque:	35,000 ft-lbs
Handle Length:	24"
Overall Length:	149"
Overall Width:	57 1/2"
Overall Height:	90"
Weight (approx.):	8000 lbs.

### CHUCKING CAPACITIES

2 3/8" to 12 1/4" Diameter

### TORQUE CAPACITY

Make-up 35,000 foot pounds / Break-out 35,000 foot pounds



# LUBRICATION SPECIFICATIONS

*Use an EP synthetic grease that meets or exceeds the following specifications:  
(Used in tong case)*

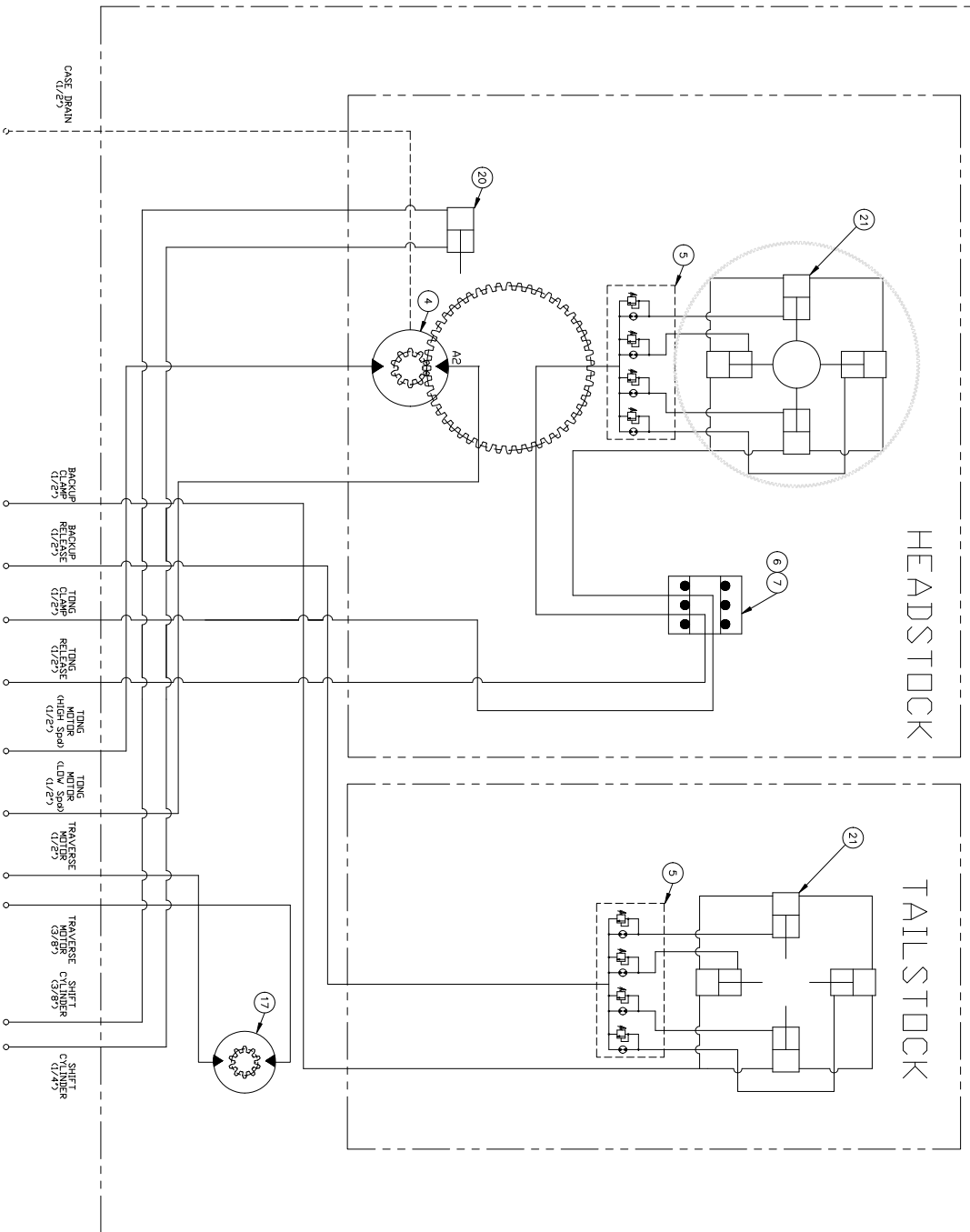
*Use an EP synthetic grease that meets or exceeds the following specifications:  
(Used as bearing grease)*

Type	High Temp MP	Type	N/A
NLGI Consistency Grade	1	NLGI Consistency Grade	2
Color	Medium Green	Color	Blue
Lithium Complex Soap, wt%	Non Soap	Lithium Complex Soap, wt%	14
Serv. Temperature	0 Deg. F – 450 Deg. F	Serv. Temperature	N/A
Base Oil Viscosity: @ 100° F	1300 SUS	Base Oil Viscosity: @ 40°C, cSt	150
@ 200° F	89 SUS	<i>ASTM D 445</i> @ 100°C, cSt	14.5
Viscosity Index	77	Viscosity Index	N/A
Penetration, dmm	325-340	Penetration, dmm	280
Worked		Worked, 60X	
<i>ASTM D 217</i>		<i>ASTM D 217</i>	
Dropping Point, °F	500 ±	Dropping Point, °F	450+
<i>ASTM D 566</i>		<i>ASTM D 2265</i>	
Rust Protection, 5% SSW	N/A	Rust Protection, 5% SSW	Pass
		<i>ASTM D 5969</i>	
Water Washout	N/A	Water Washout	6.8
%wt loss @ 175°F		%wt loss @ 175°F	
		<i>ASTM D 1264</i>	
Timken, OK Load, lbs	50	Timken, OK Load, lbs	45
		<i>ASTM D 2509</i>	
Bomb Oxidation	N/A	Bomb Oxidation	5 max
100 hrs @ 210°F, psi drop		100 hrs @ 210°F, psi drop	
		<i>ASTM D 942</i>	
Applications	High & Low Speed Bearings, Wheel Bearings, Pumps, Gears, Lubrication	Applications	Industrial application where a high temperature/multipurpose extreme pressure grease is needed, Trailers

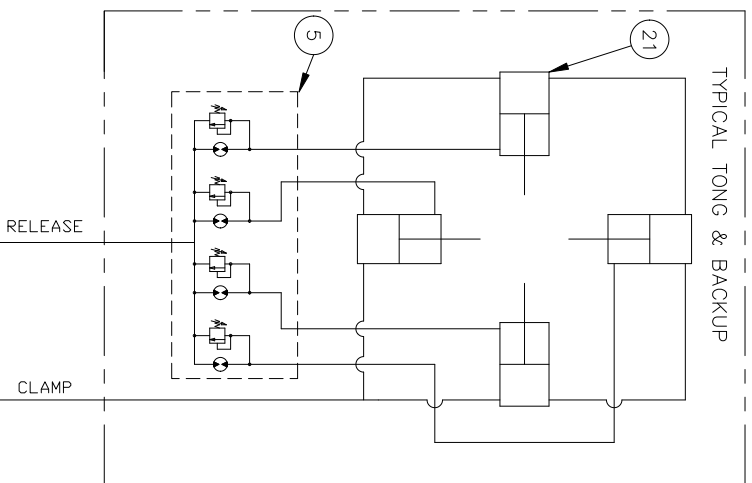
***Use a premium quality hydraulic fluid that meets or exceeds the following specifications:***

Humble Hydraulic H	68
ISO Viscosity Grade	68
Base Oil Viscosity: cSt @ 40°C	65.0
<i>ASTM D 445</i> cSt @ 100°C	8.5
Viscosity Index – <i>ASTM D 2270</i>	95
Pour Point – <i>ASTM D 97</i>	-9
Flash Point – <i>ASTM D 92</i> C(°F)	222 (432)
Demulsibility – <i>ASTM D 1401</i>	41/39/0 (20)
Vickers 104C (IP281)	Pass
Vickers M-2950-S	Quality Level
Vickers I-286-S	Quality Level
TOST – <i>ASTM D 943</i>	2000+

### CLINCHER® RP Bucking Unit with Single Speed Motor & Two Speed Gearbox

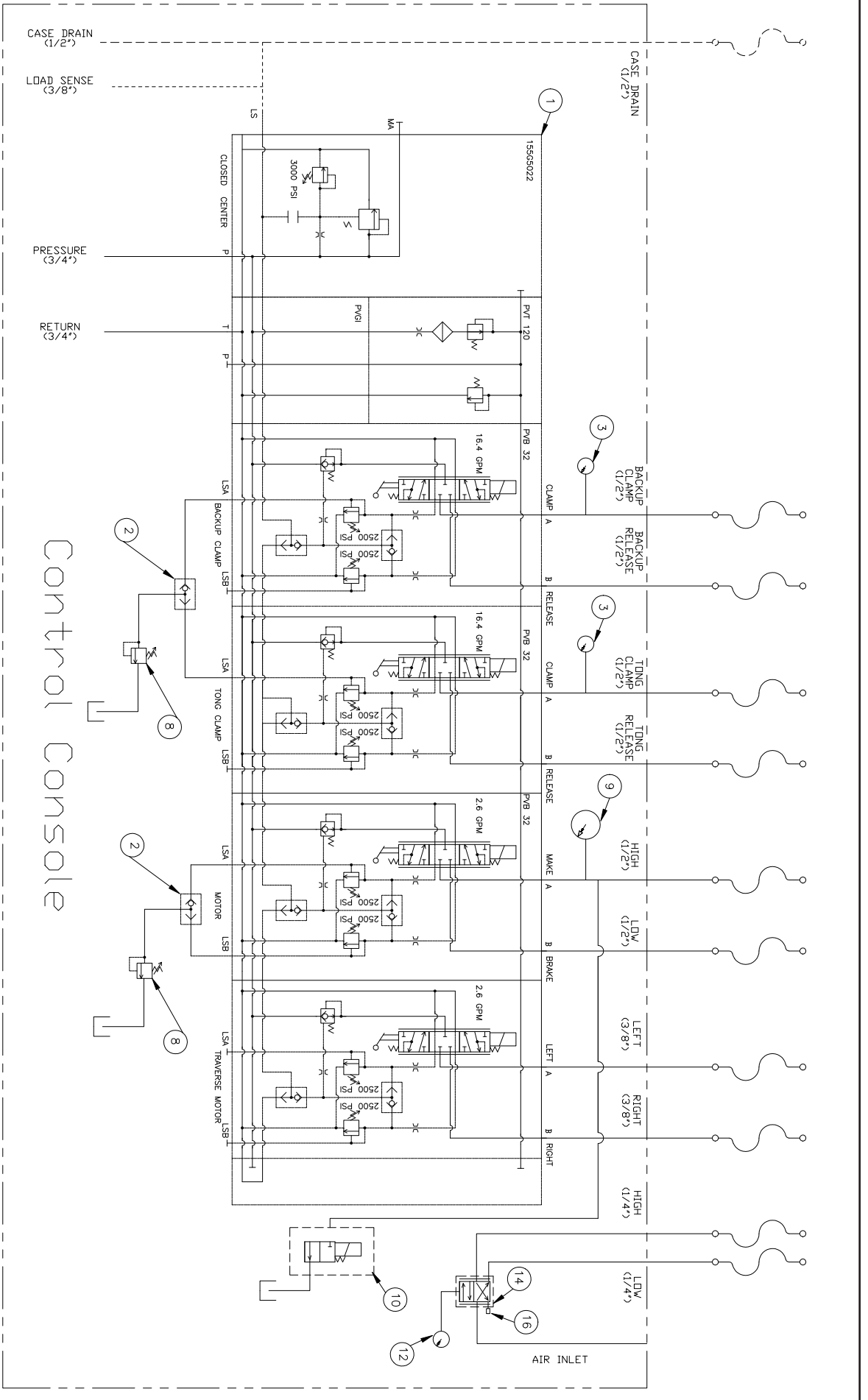


ITEM NO.	QTY.	DESCRIPTION	PART NUMBER
1	3	PVC 3/2 VALVE CONTROLS	157BXXXX
2	2	SHUTTLE VALVE	LSV1-61-N
4	1	HYDRAULIC MOTOR, SINGLE	235-6500
5	2	FLOW DIVIDER	330-6500
6	1	HYDRAULIC SWIVEL	228-6500-165
7	3	ROTARY SEALS (3 PCS = 1 SET)	238-6500
8	2	RELIEF VALVE	RIE02-2512-A1
9	1	6" PRESSURE GAUGE 0-3000	132-6500
10	1	DUMP VALVE SOLENOID VALVE NOR. CLOSED	148-6500
12	1	AIR PRESSURE GAUGE	149-6500
14	1	AIR VALVE	146-6500
16	1	AIR W/FLTR	147-6500
17	1	TRAVERSE MOTOR (OPTIONAL)	143-6500
20	1	AIR CYLINDER W/ GEAR SHIFT	234-6500
21	8	CLAMP CYLINDER	400-5000-1

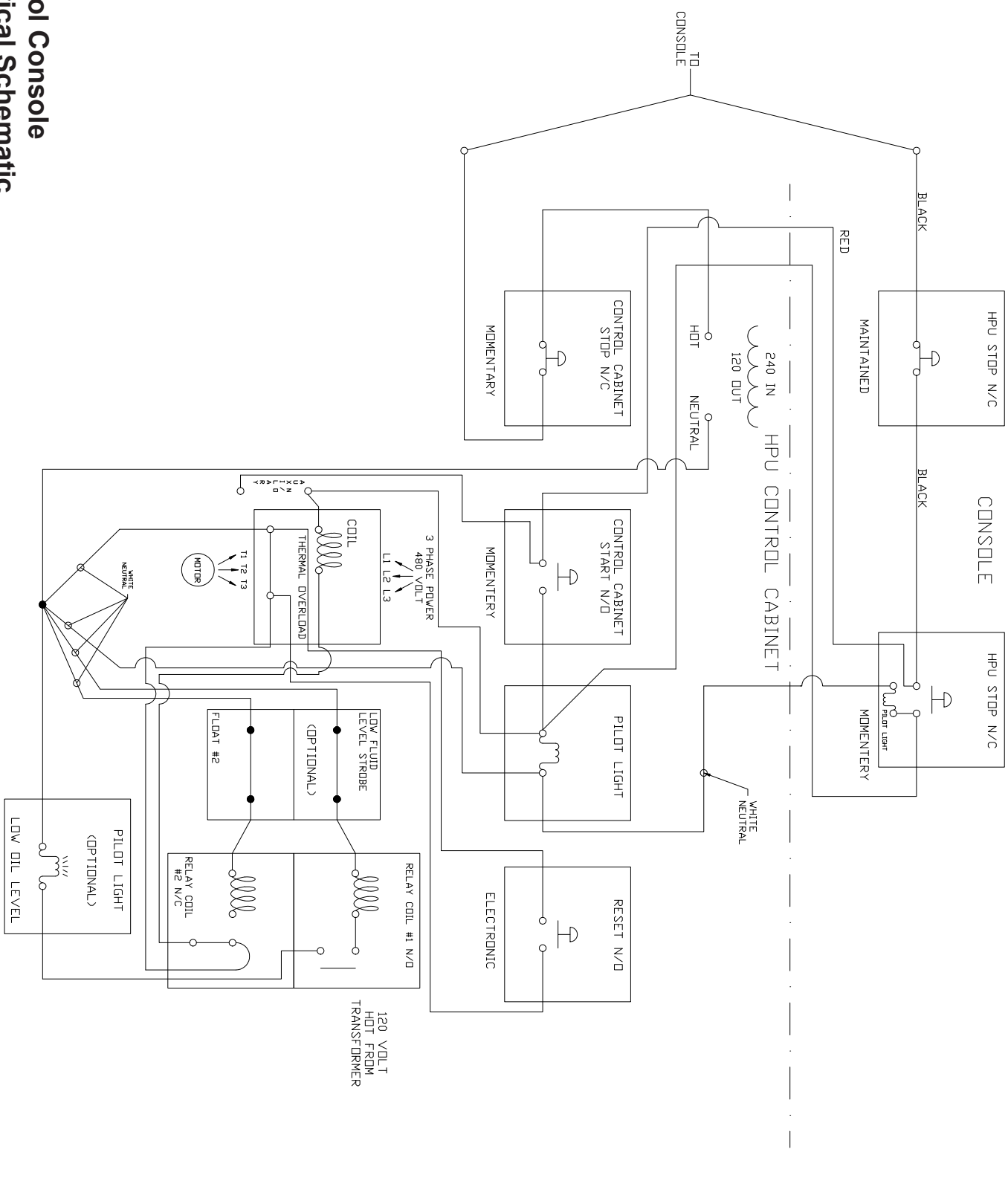


### Bucking Unit Hydraulic Schematic

# Control Console Hydraulic Schematic

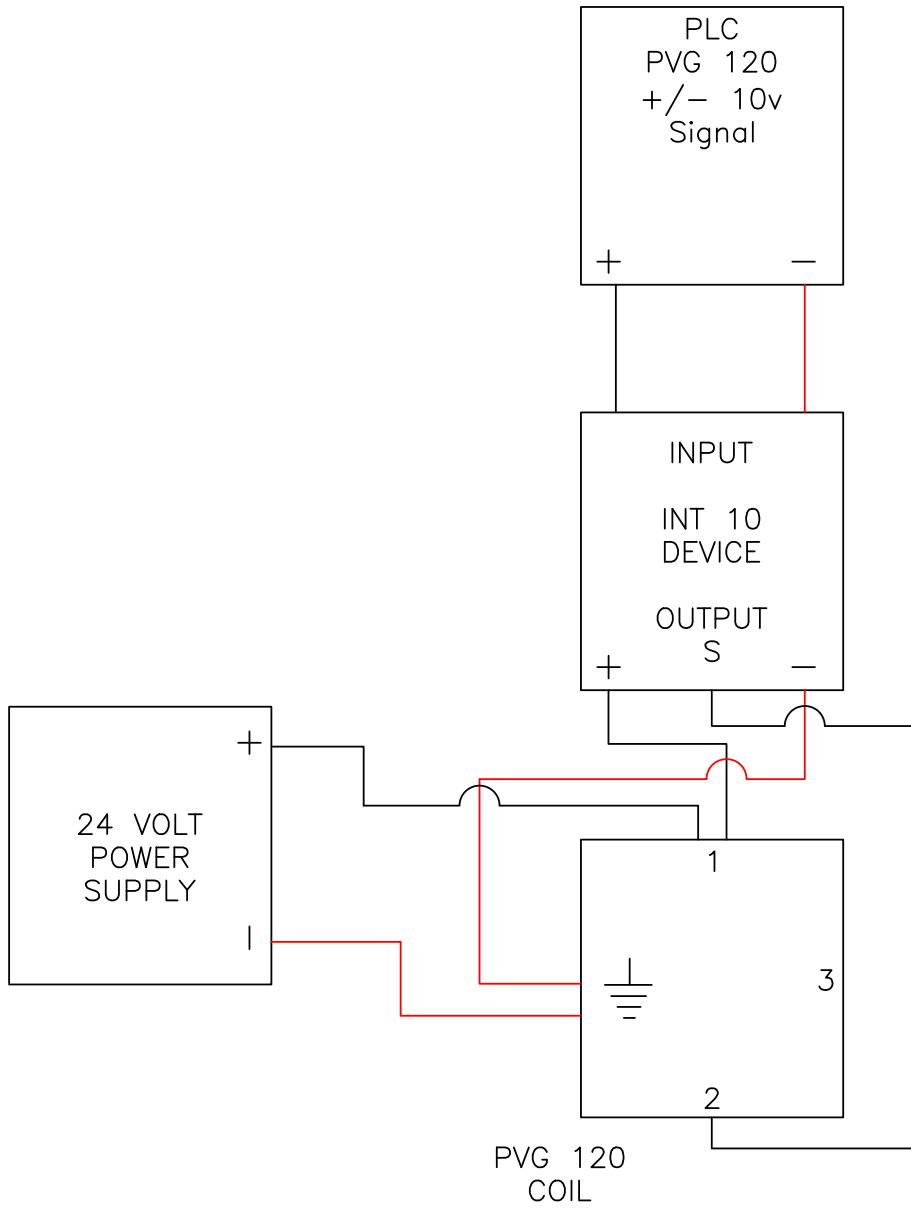




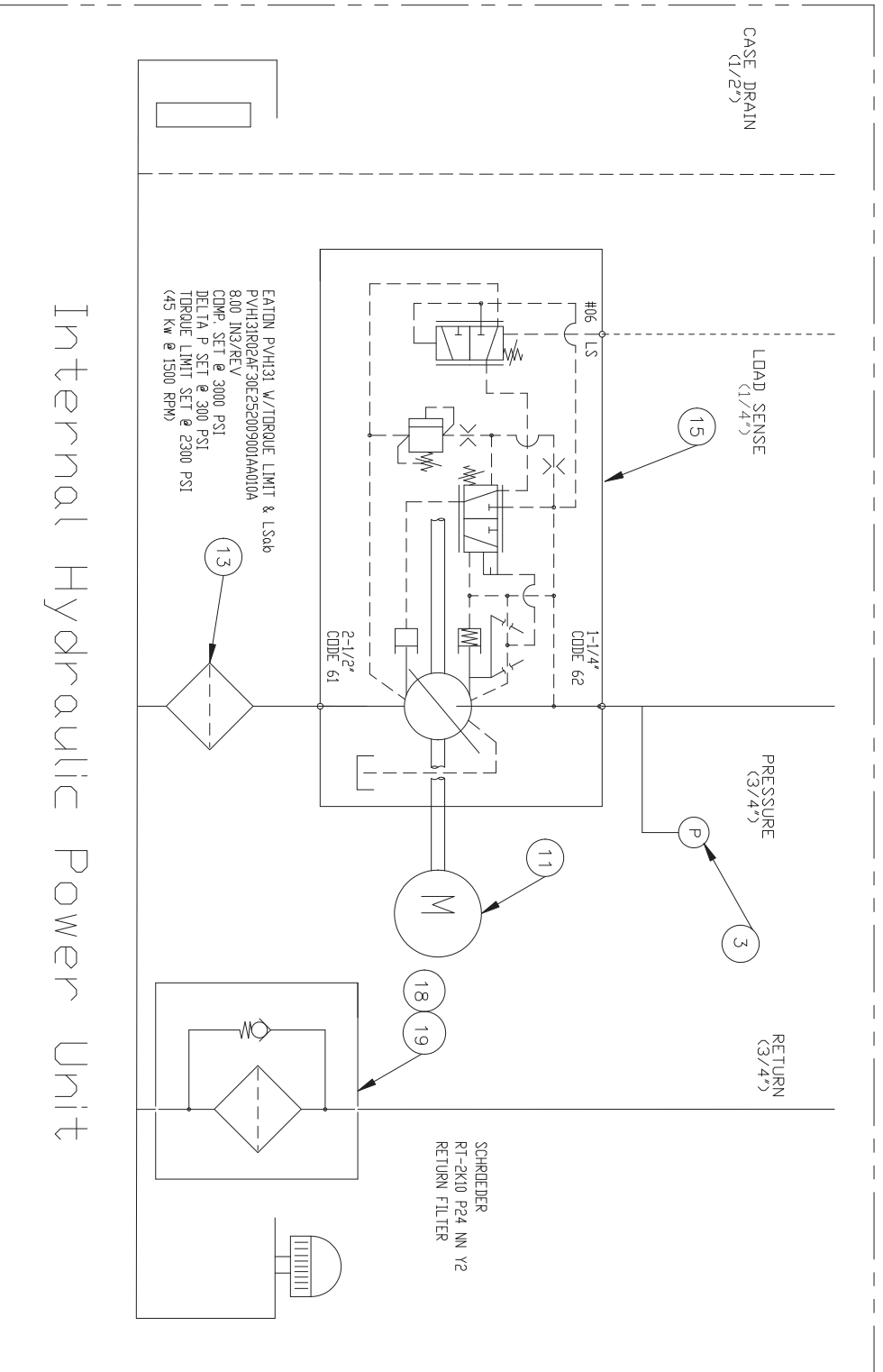


**Control Console  
Electrical Schematic**

# Electric Proportional Schematic



ITEM NO.	QTY.	DESCRIPTION	PART NUMBER	LOCATION
3	2	2-1/2" PRESSURE GAUGE, 0-3000	133-6500	CONSOLE/POWER UNIT
11	1	ELECTRIC MOTOR	PU5060-S1	CONSOLE/POWER UNIT
13	1	SUCTION STRAINER	SS-2-100-3	CONSOLE/POWER UNIT
15	1	HYDRAULIC PUMP	7003638	CONSOLE/POWER UNIT
18	1	FILTER HEAD	P563268	CONSOLE/POWER UNIT
19	1	FILTER ELEMENT	P562207	CONSOLE/POWER UNIT



**Power Unit  
Hydraulic Schematic**

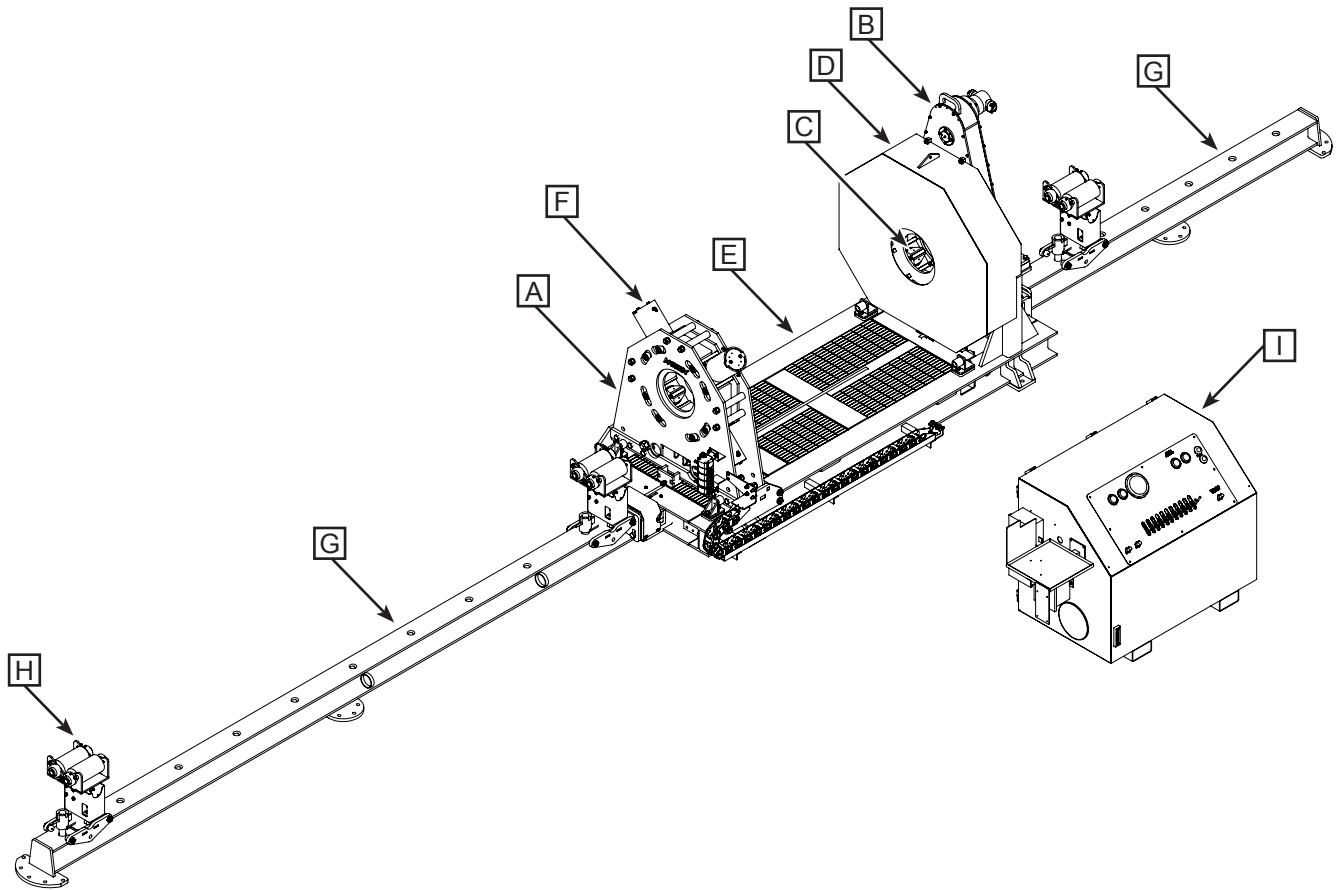


*Page intentionally left blank*

# CLINCHER® RP6512

## Continuously Rotating Bucking Unit

(shown with optional accessories)

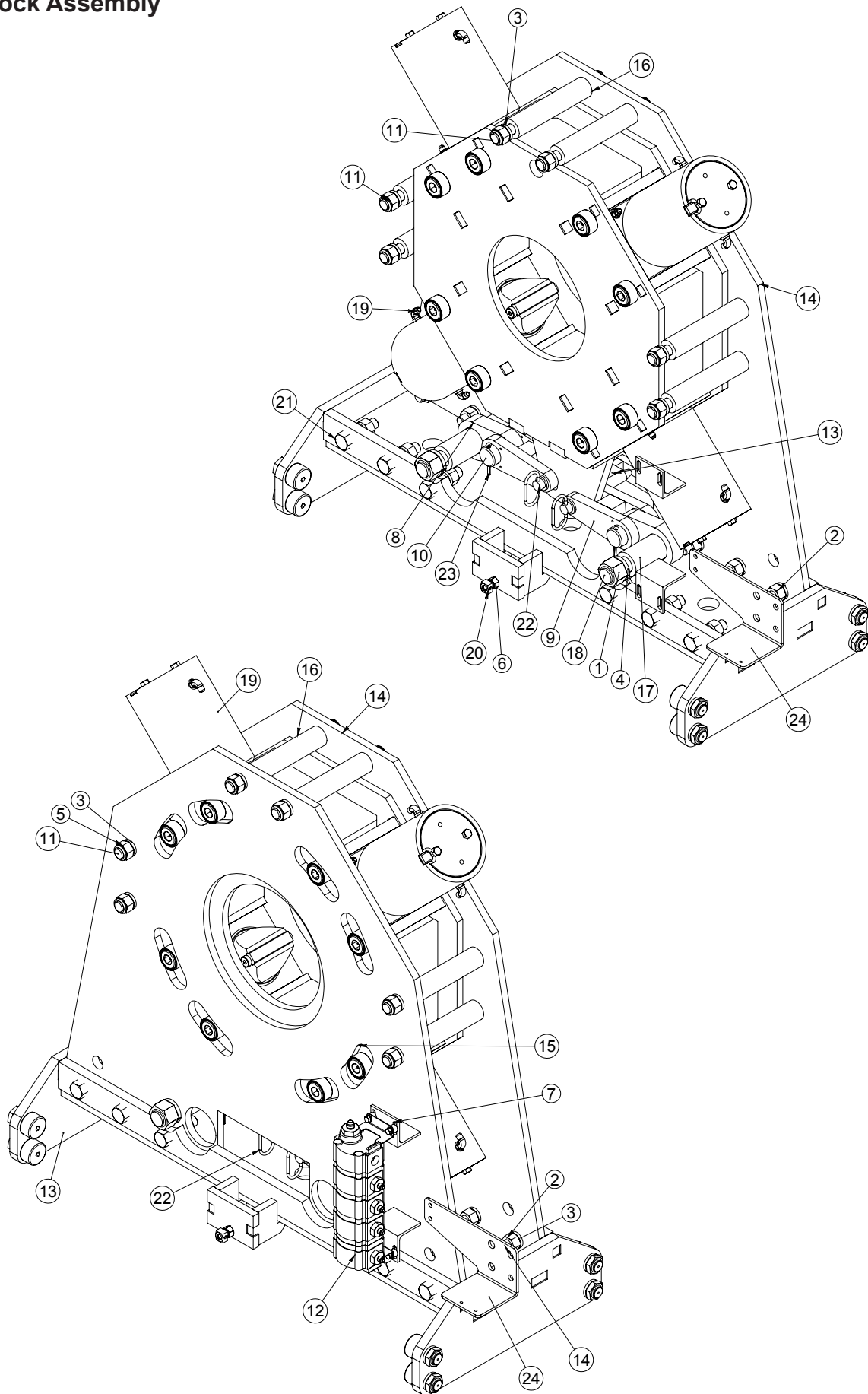


<b>A</b>	Tail Stock Assembly-----	12
<b>B</b>	Tong Assembly -----	15
	Outer Manifold Assembly -----	18
	Pinion Gear Assembly-----	20
	Clutch Gear Assembly -----	22
	Drive Gear Assembly -----	24
<b>C</b>	Head Stock Vise Assembly-----	26
<b>D</b>	Rotating Head Guard Assembly -----	28
<b>E</b>	12 ft. Skid Assembly-----	29
<b>F</b>	Clamp Cylinder Assembly-----	30
<b>G</b>	Extension Beam Assembly (various models) -----	32 - 33
<b>H</b>	Hydraulic Support Jack Assembly (various models) -----	35 - 37
<b>I</b>	Control Console / Power Unit Assembly -----	38

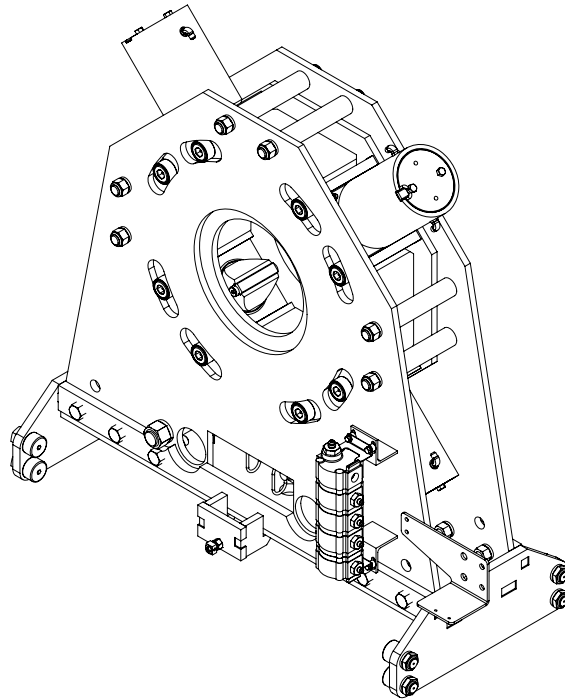
Notice: All drawings contained in this manual are the property of McCoy Drilling & Completions and are considered confidential. This information may not be used, disclosed, copied, or reproduced in any form, without the express written consent of McCoy Drilling & Completions.

For third party component documentation used within this unit, please contact McCoy Drilling & Completions.

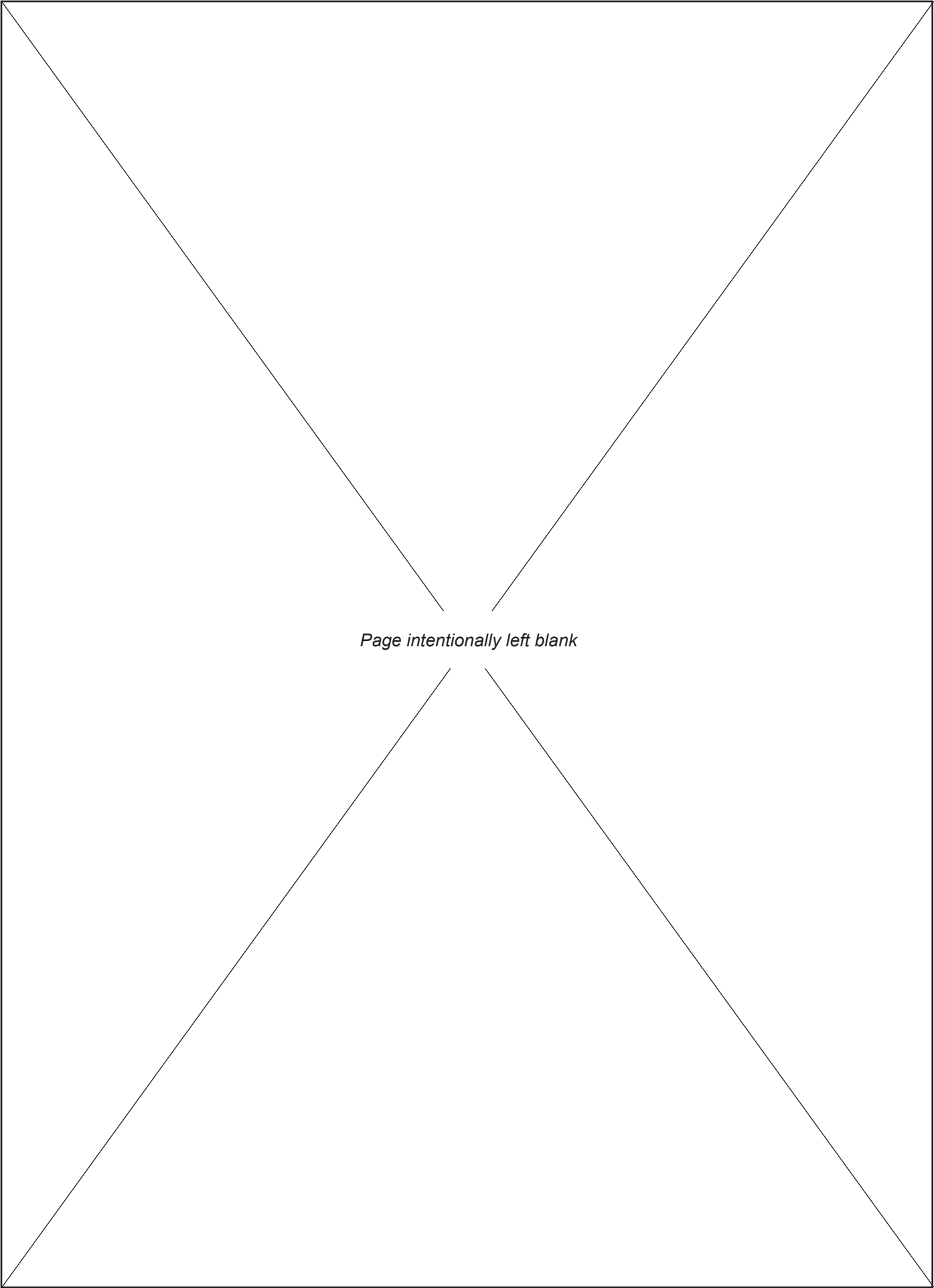
**300-6500-12**  
**Tail Stock Assembly**



**300-6500-12**  
**Tail Stock Assembly**



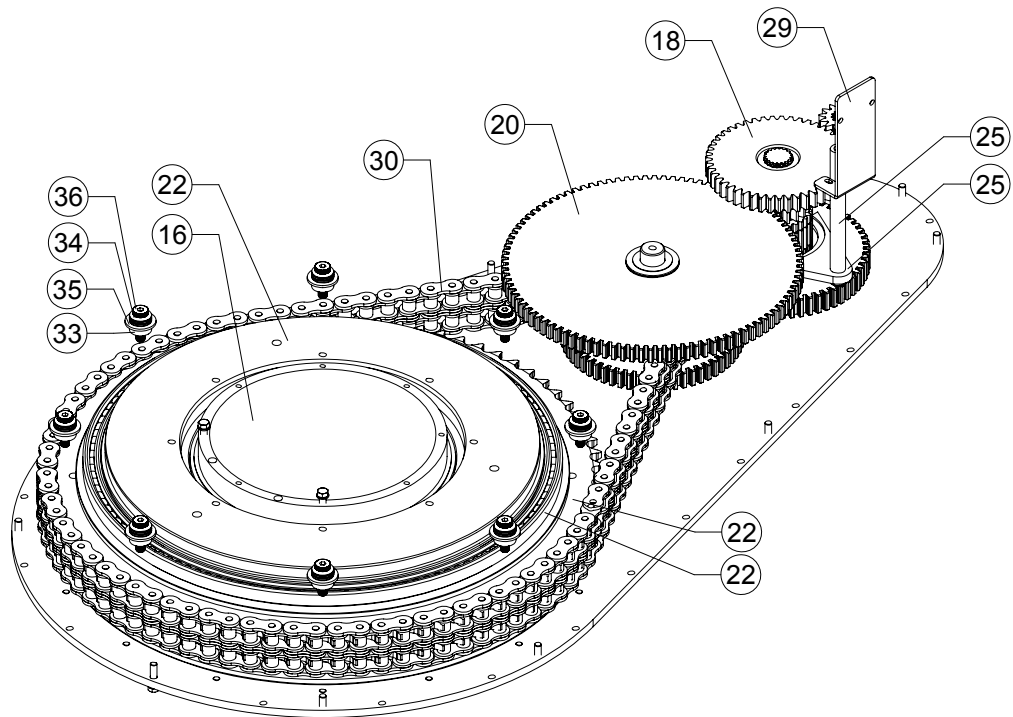
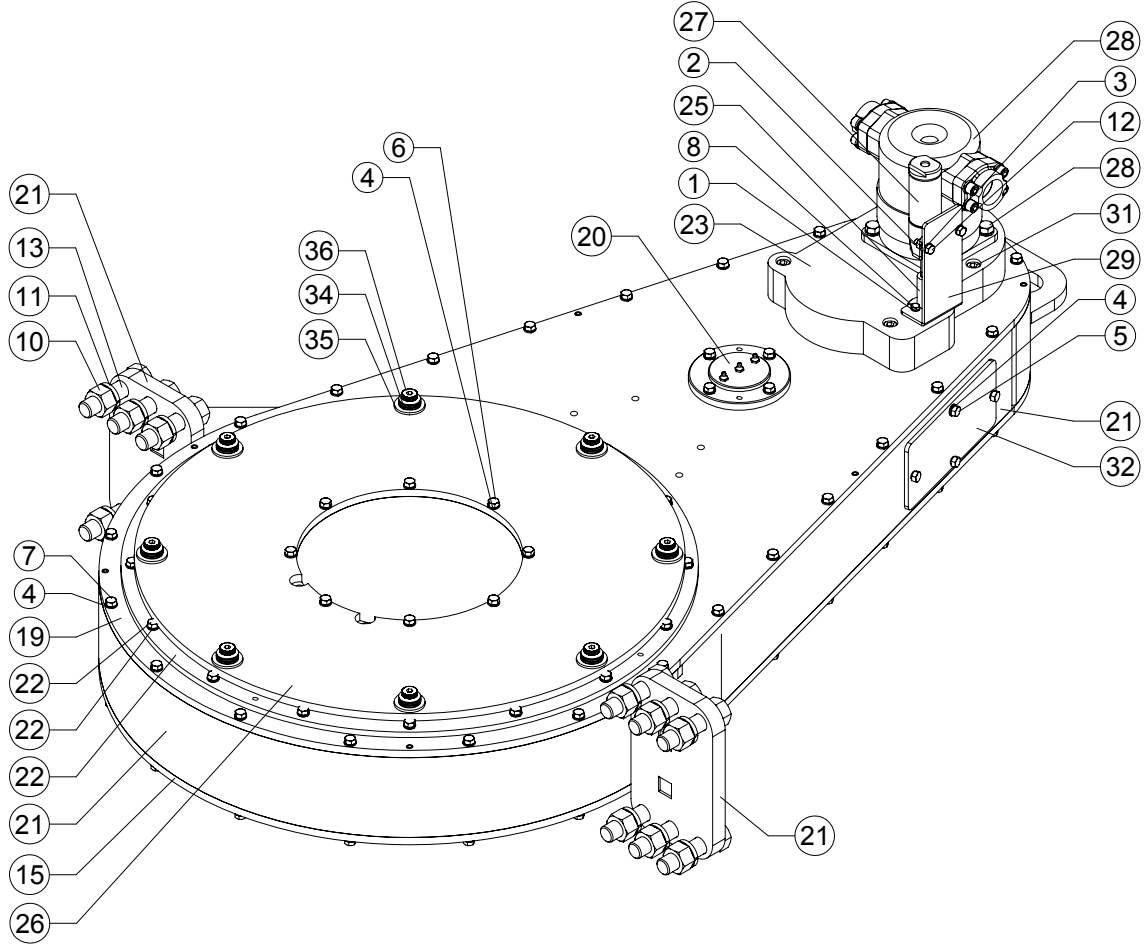
Item #	Qty.	Part Number	Part Name
1	4	1187	1 1/2-6 HEX NUT
2	12	1210	1"-8 NUT GR. 8
3	24	1218	1" LW
4	4	1223	1 1/2" LOCKWASHER
5	12	1224-B	1"-8 NYLOC NUT
6	4	194	5/8-11 NC NUT (194)
7	2	251-6500	FLOW DIVIDER MOUNT ANGLE
8	2	302-6500	LOAD CELL BRACKET
9	2	303-6500	LOADCELL BRACKET WELDMENT
10	2	303B-6500	LOAD CELL DEAD PIN
11	6	320-6500	TAILSTOCK SPACER BOLTS
12	1	330-6500	DELTA POWER 6 PORT FLOW DIVIDER
13	1	350-6500-1	CARRIAGE ASSEMBLY
14	1	355B-6500-12	OUTER TAILSTOCK SIDE PLATE
15	1	355A-6500-12	TAILSTOCK SIDE PLATE
16	6	356-6500	TAILSTOCK SPACER TUBE
17	2	359-6500	LOADCELL SPACER ROD
18	2	360-6500	LOADCELL SPACER BOLT
19	1	372-6500-12	12 3/4" TAILSTOCK VISE ASSEMBLY
20	2	570-3000	MODIFIED CHAIN ATTACHMENT
21	12	74053	1"-8 X 3 3/4" HHCS
22	2	902B-3000-1	1" X 7 3/4" HITCH PIN
23	2	PH-PIN 3	COTTER PIN 1/4 X 1 1/2
24	1	518-6000-01	BULKHEAD PLATE



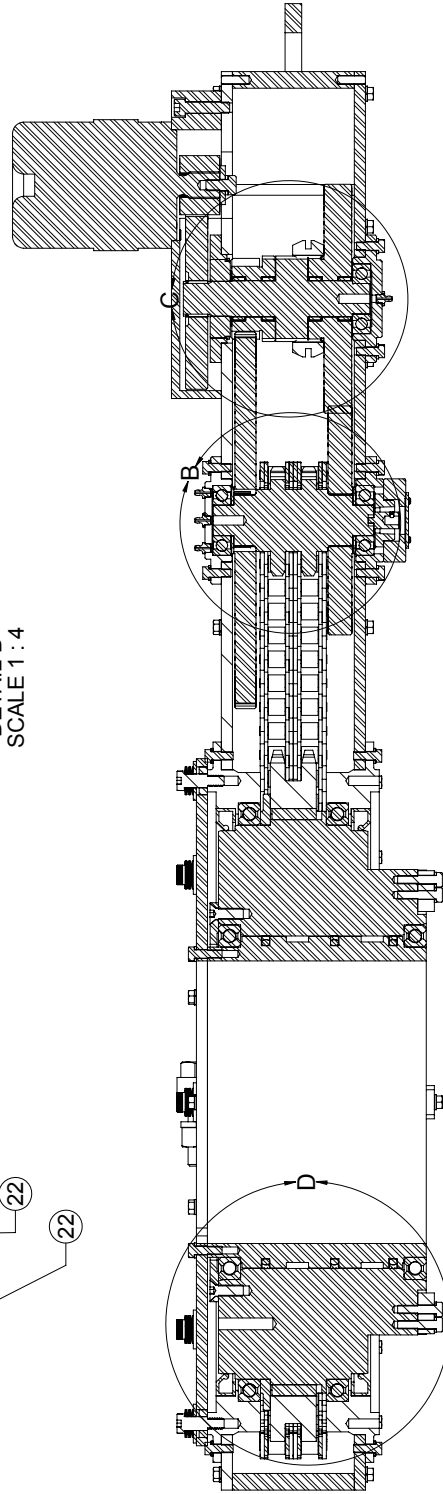
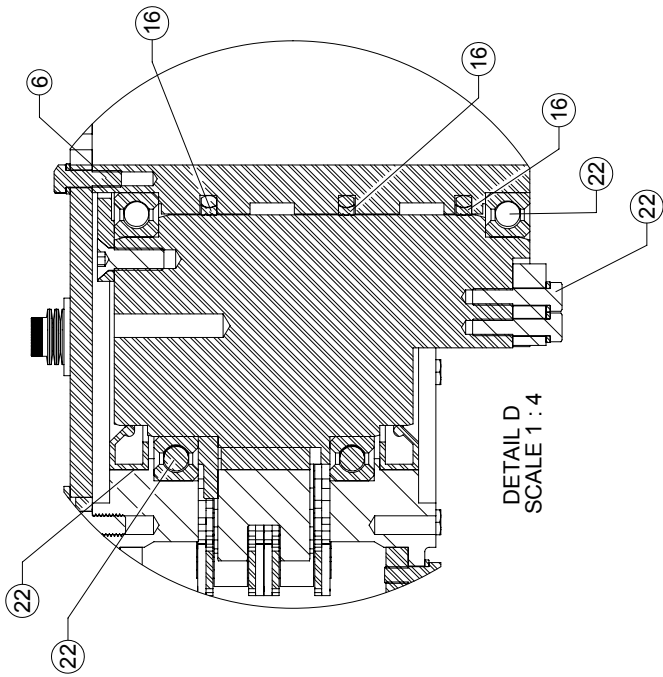
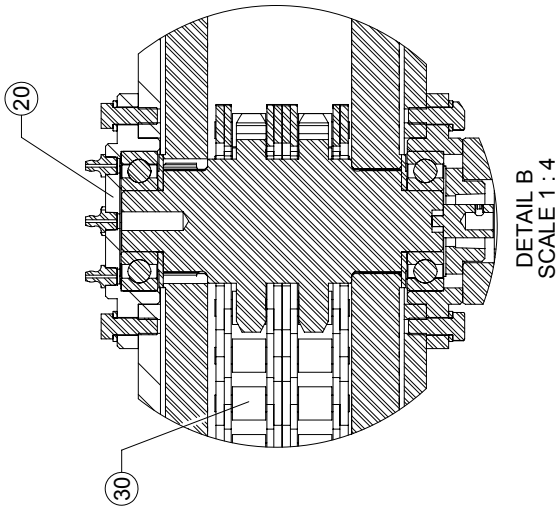
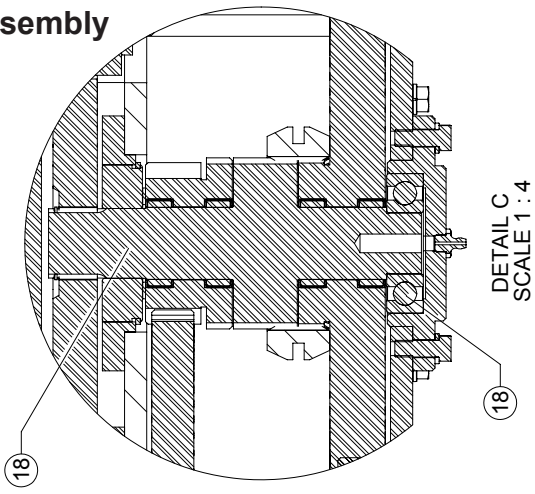
*Page intentionally left blank*



**200A-6500-12**  
**Tong Assembly**



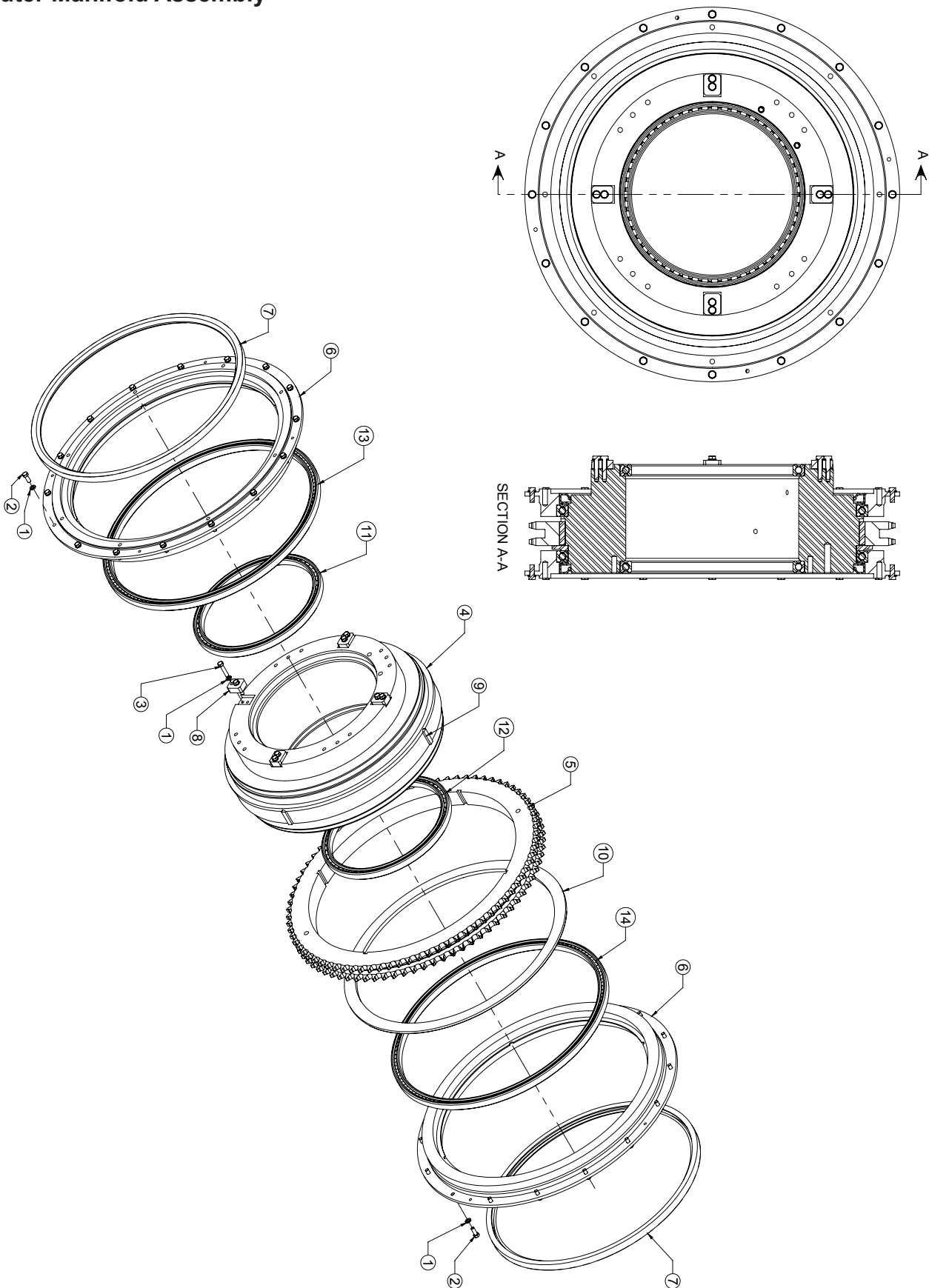
**200A-6500-12**  
**Tong Assembly**



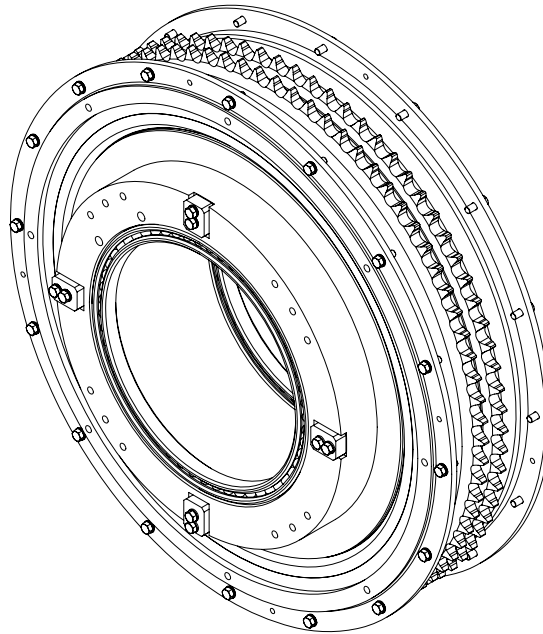
**200A-6500-12  
Tong Assembly**

Item #	Qty.	Part Number	Part Name
1	2	101	1/4" LOCKWASHER
2	2	1023-A	5/16-18 HEX NUT
3	2	1023-B	5/16 LOCKWASHER
4	57	1027	WASHER, LOCK 3/8"
5	4	1046	HHCS 3/8-16 X 3/4
6	8	1048	3/8"-16 X 1 1/4" HHCS
7	48	1049	3/8"-16 X 1 1/2" HHCS
8	2	105	1/4"-20 X 1" HHCS GR8
9	8	1132	SCHCS 1/2"-13 X 1 1/2"
10	12	1210	1"-8 NUT GR. 8
11	12	1218	1" LW
12	2	122	5/16" X 1" HHCS
13	12	1291	1"-8 X 4" HHCS
14	18	1309	DOWELL PIN 3/8" x 1-1/4"
15	1	201A-6500	BOTTOM HOUSING LID
16	1	2010-6500	12 3/4" INNER MANIFOLD ASSEMBLY
17	1	2013-6500	12 3/4" MANIFOLD RETAINER RING
18	1	2015-6500-1	CLUTCH GEAR ASSEMBLY
19	1	202A-6500	TOP HOUSING LID
20	1	2020-6500-1	PINION GEAR ASSEMBLY
21	1	203-6500	HEADSTOCK MIDBODY
22	1	204-6500-12	OUTER MANIFOLD ASSEMBLY
23	1	216-6500	MOTOR MOUNT
24	1	217-6000	ORING RETAINER
25	1	220-6500-1	SHIFTING COLLAR ASSEMBLY
26	1	230-6500-12	COVER PLATE RETAINER
27	1	234-6500	AIR CYLINDER WITH BRACKET
28	1	235-6000-1	DRIVE GEAR ASSEMBLY
29	1	239-6500	CYLINDER MOUNT BRACKET
30	1	247-6500	DOUBLE STRAND ROLLER CHAIN
31	9	249	1/2"-13 X 2" SHCS
32	1	283-6500	SHIFTER WINDOW COVER
33	8	230A-6500-12	POLYURETHANE SPACER
34	40	230B-6500-12	5/8" BELLEVILLE WASHER
35	8	230C-6500-12	5/8" FLAT WASHER
36	8	91259A794	5/8" X 1" SHOULDER SCREW
37	4	1112	1/2"-13 x 1 1/2" HHCS
38	4	1103	1/2" LOCKWASHER
39	1	3100-6500	12 3/4" ROTATING HEAD GUARD
40	1	250-6500-12	HEAD STOCK ASSEMBLY

**204-6500-12**  
**Outer Manifold Assembly**

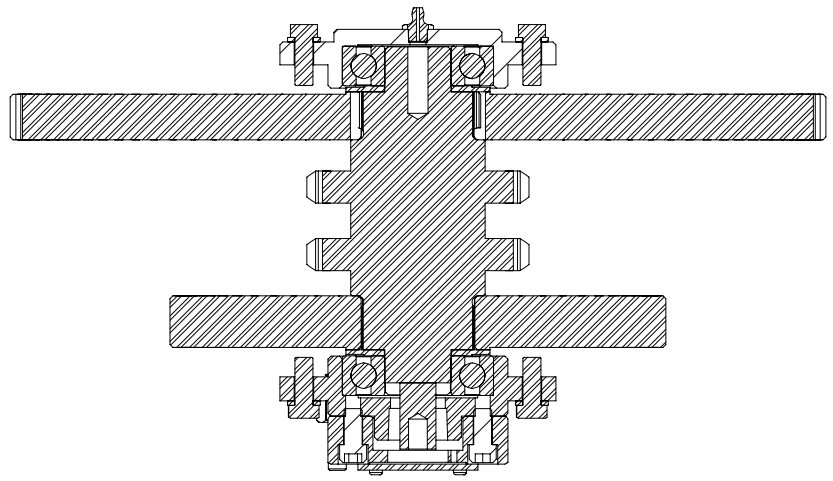
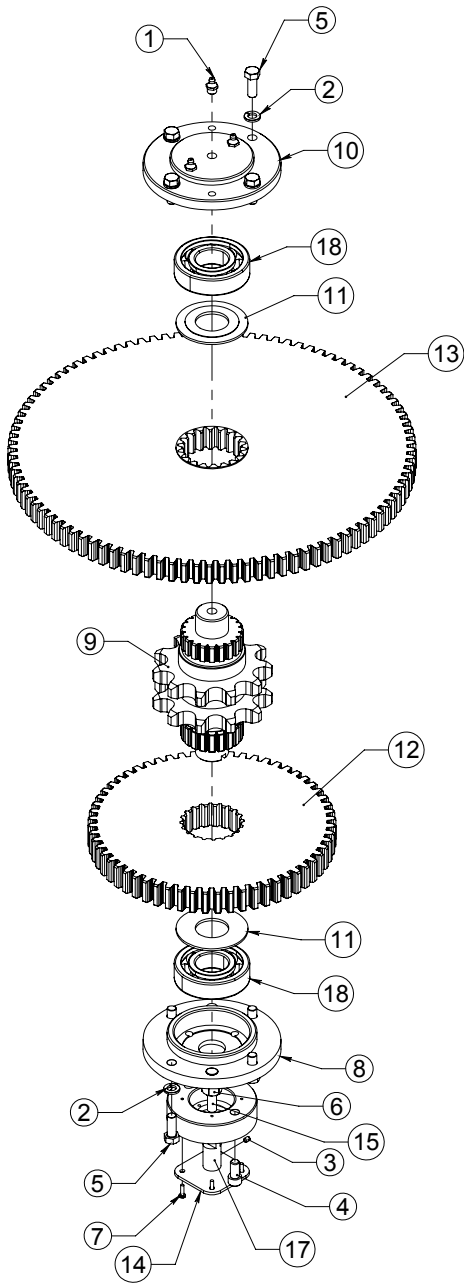


**204-6500-12**  
**Outer Manifold Assembly**



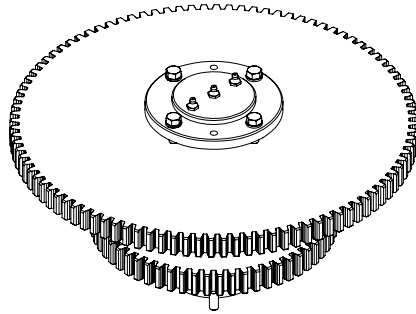
Item #	Qty.	Part Number	Part Name
1	40	1027	WASHER, LOCK 3/8"
2	32	1047	3/8"-16 X 1" HHCS
3	8	141	3/8"-16 X 1 3/4" HHCS
4	1	2011-6500	12 3/4" OUTER MANIFOLD
5	1	204B-6500	SPROCKET
6	2	204C-6500	FINAL DRIVE BEARING CAP
7	2	204E-6500	GARLOCK OIL SEAL (21238-4305)
8	4	225-6500	MANIFOLD KEY
9	4	227A-6500	MANIFOLD KEY
10	1	269-6500	SPROCKET SPACER
11	1	SG140-CPO	14" RADIAL CONTACT THIN SECTION BEARING
12	1	SG140-XPO	14" FOUR CONTACT THIN SECTION BEARING
13	1	SG250-CPO	25" THRUST THIN SECTION BEARING
14	1	SG250-XPO	25" FOR CONTACT THIN SECTION BEARING

# 2020-6500-1 Pinion Gear Assembly



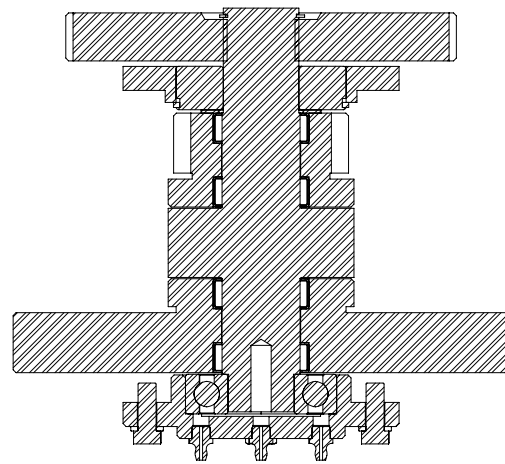
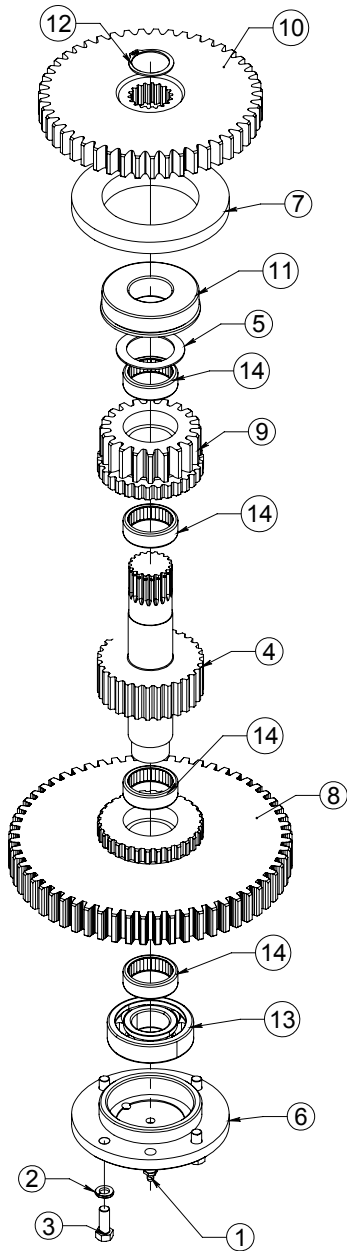
SECTION A-A  
SCALE 1 : 4

**2020-6500-1**  
**Pinion Gear Assembly**



Item #	Qty.	Part Number	Part Name
1	3	1001	1/8 NPT ZERT
2	8	1027	WASHER, LOCK 3/8"
3	1	1034	#10-32 X 1/4" SET SCREW
4	2	1040-A	3/8-16 x 3/4 SHCS
5	8	1047	3/8"-16 X 1" HHCS
6	1	1101	NUT, HEX, 1/2-13
7	4	1276-B	#6-32 X 3/8" MACHINE SCREW
8	1	2017-6500	BOTTOM PINION BEARING CAP
9	1	2020-6500	PINION SPROCKET
10	1	2023-6500	PINION BEARING CAP
11	2	2024-6500	PINION GEAR SPACER
12	1	207-6500	HIGH PINION GEAR
13	1	208-6500	LOW PINION GEAR
14	1	40034	COVER PLATE
15	1	51031	ENCODER COUPLING MOUNT
16	1	51075	ENCODER MOUNTING PLATE
17	1	55144	ENCODER COUPLING
18	2	6307	1-1/2" BEARING

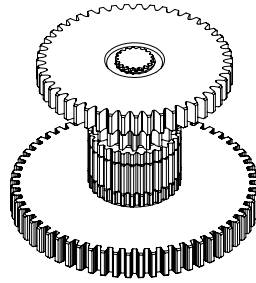
**2015-6500-1**  
**Clutch Gear Assembly**



SECTION A-A

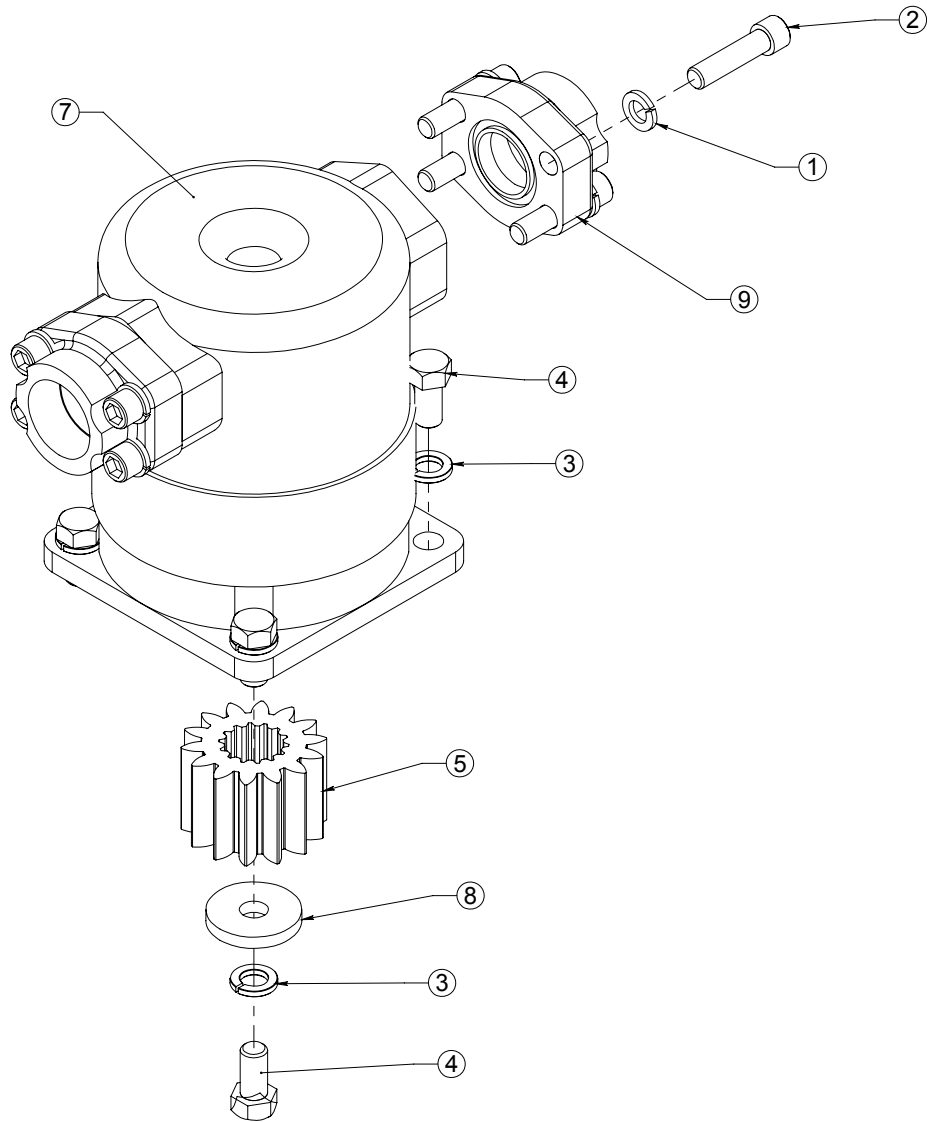


**2015-6500-1**  
**Clutch Gear Assembly**

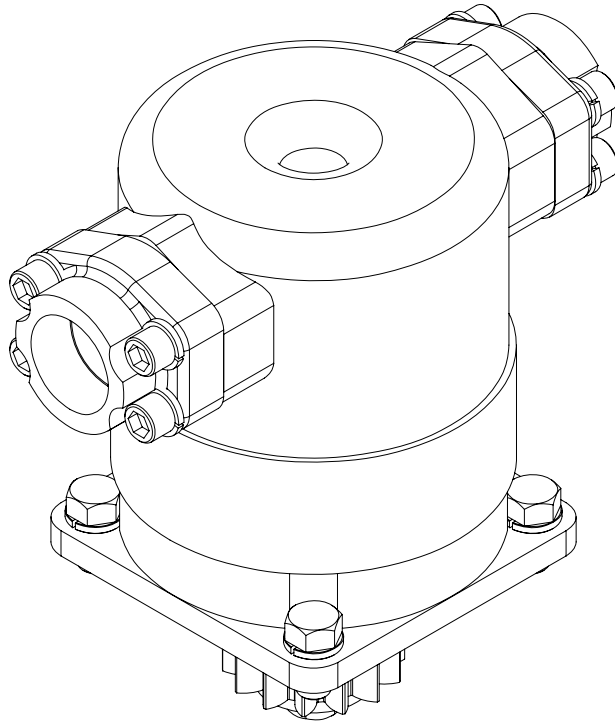


Item #	Qty.	Part Number	Part Name
1	3	1001	1/8 NPT ZERT
2	4	1027	WASHER, LOCK 3/8"
3	4	1047	3/8"-16 X 1" HHCS
4	1	2015-6500	CLUTCH SHAFT
5	1	2015A-6500	CLUTCH WASHER
6	1	2015B-6500	BOTTOM CLUTCH SHAFT BEARING CAP
7	1	2016-6500	TOP CLUTCH BEARING CAP
8	1	209-6500	HIGH CLUTCH GEAR
9	1	210-6500	LOW CLUTCH GEAR
10	1	211-6500	CLUTCH DRIVE GEAR
11	1	308-ZZNR	1-1/2" DEEP GROOVE BALL BEARING
12	1	3100-156	EXTERNAL RETAINING RING
13	1	6307	1-1/2" BEARING
14	4	B-2610	TIMKEN NEEDLE BEARING

**235-6000-1**  
**Drive Gear Assembly**

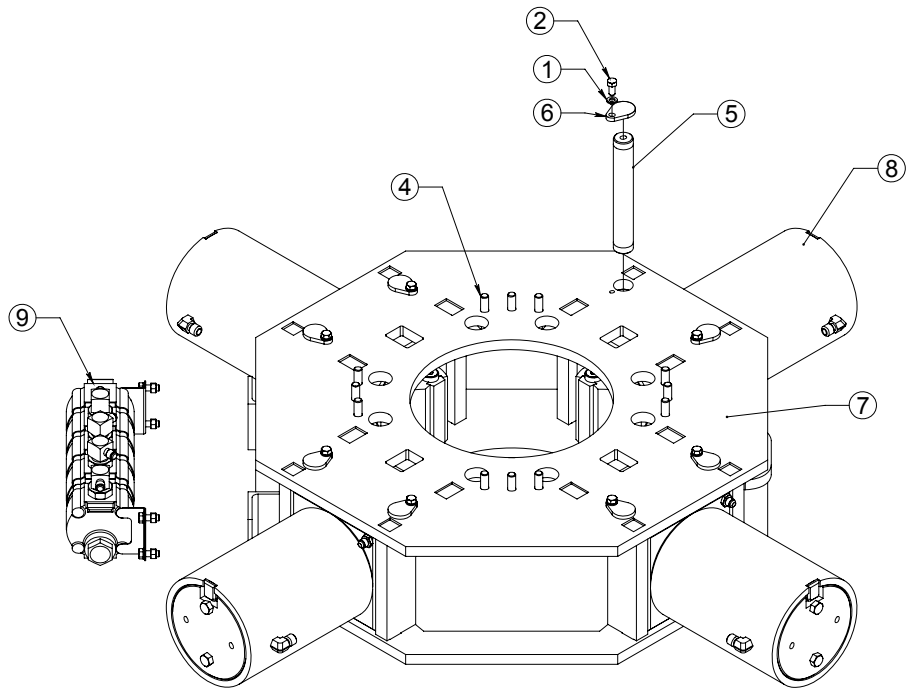


**235-6000-1**  
**Drive Gear Assembly**

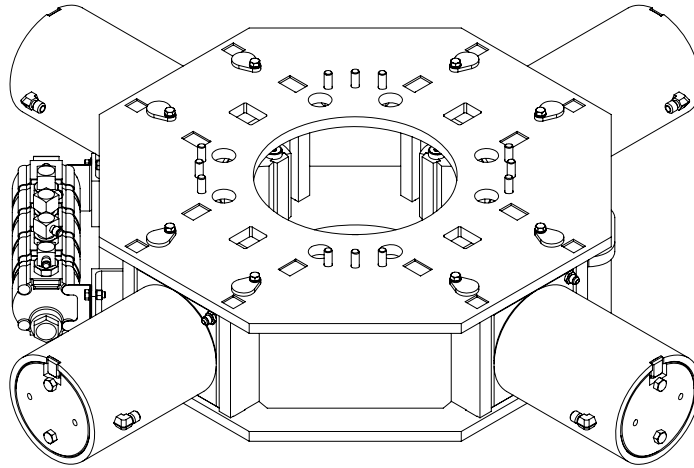


Item #	Qty.	Part Number	Part Name
1	8	1081	7/16" LOCKWASHER
2	8	1084	7/16"-14 x 1 3/4" SHCS
3	5	1103	1/2" LOCKWASHER
4	5	1110	1/2"-13 x 1" HHCS
5	1	212-5000-14T	MOTOR DRIVE GEAR (SPLINED)
6	2	2-222	O-RING
7	1	235-6500	1 SPEED 15 cu.inch MOTOR
8	1	235A-6500	MOTOR DRIVE GEAR RETAINER
9	2	W43-20-20U	1-1/4" FLANGE

**250-6500-12**  
**Head Stock Vice Assembly**



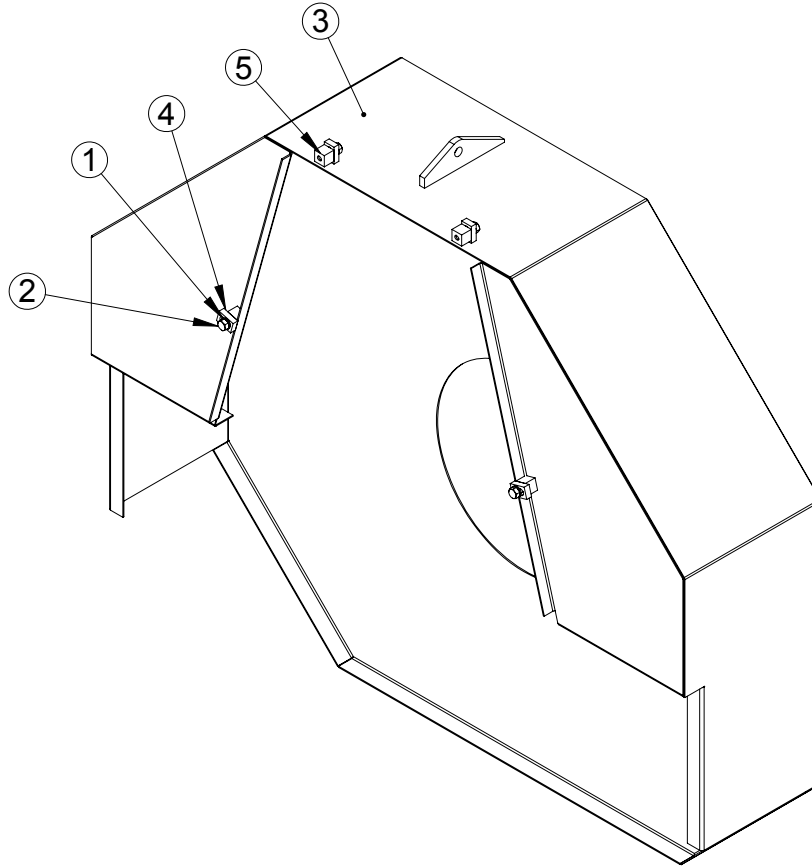
**250-6500-12**  
**Head Stock Vise Assembly**



Item #	Qty.	Part Number	Part Name
1	16	1027	WASHER, LOCK 3/8"
2	16	1046	HHCS 3/8-16 X 3/4
3	12	1103	1/2" LOCKWASHER
4	12	1112-A	1/2"-13 x 2" HHCS
5	8	222-6500	HEADSTOCK PIN
6	16	222B-3500	CYLINDER PIN RETAINER
7	1	240-6500-12	12 3/4" HEADSTOCK VISE WELDMENT
8	4	400-3000-1	CLAMP CYLINDER ASSEMBLY
9	1	291-6500	HEADSTOCK FLOW DIVIDER ASSEMBLY

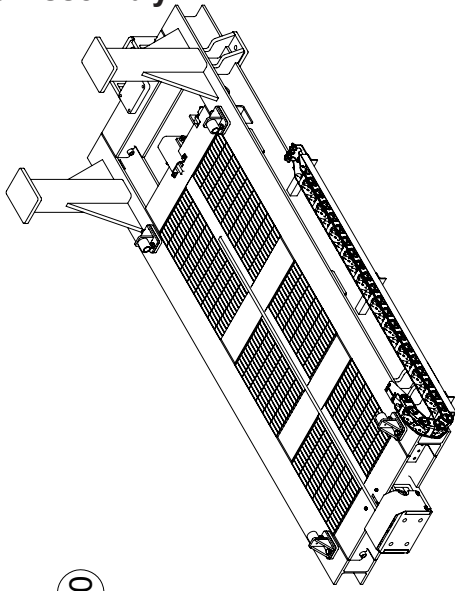
# 3000-6500-02

## Rotating Head Guard Assembly

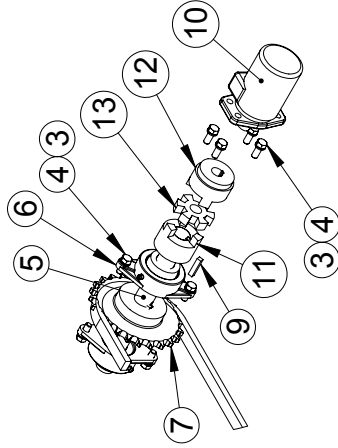


Item #	Qty.	Part Number	Part Name
1	4	1103	1/2" LOCKWASHER
2	4	1112	1/2"-13 x 1 1/2" HHCS
3	1	3100-6500-02	16" ROTATING HEAD GUARD WELDMENT
4	2	3105-6500	1/2" MOUNT TAB
5	2	3105A-6500	1" MOUNT TAB

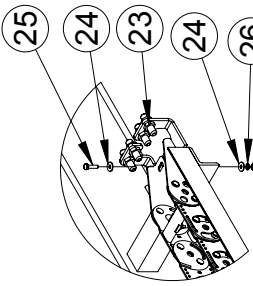
**500-6500-12**  
**12 ft. Skid Assembly**



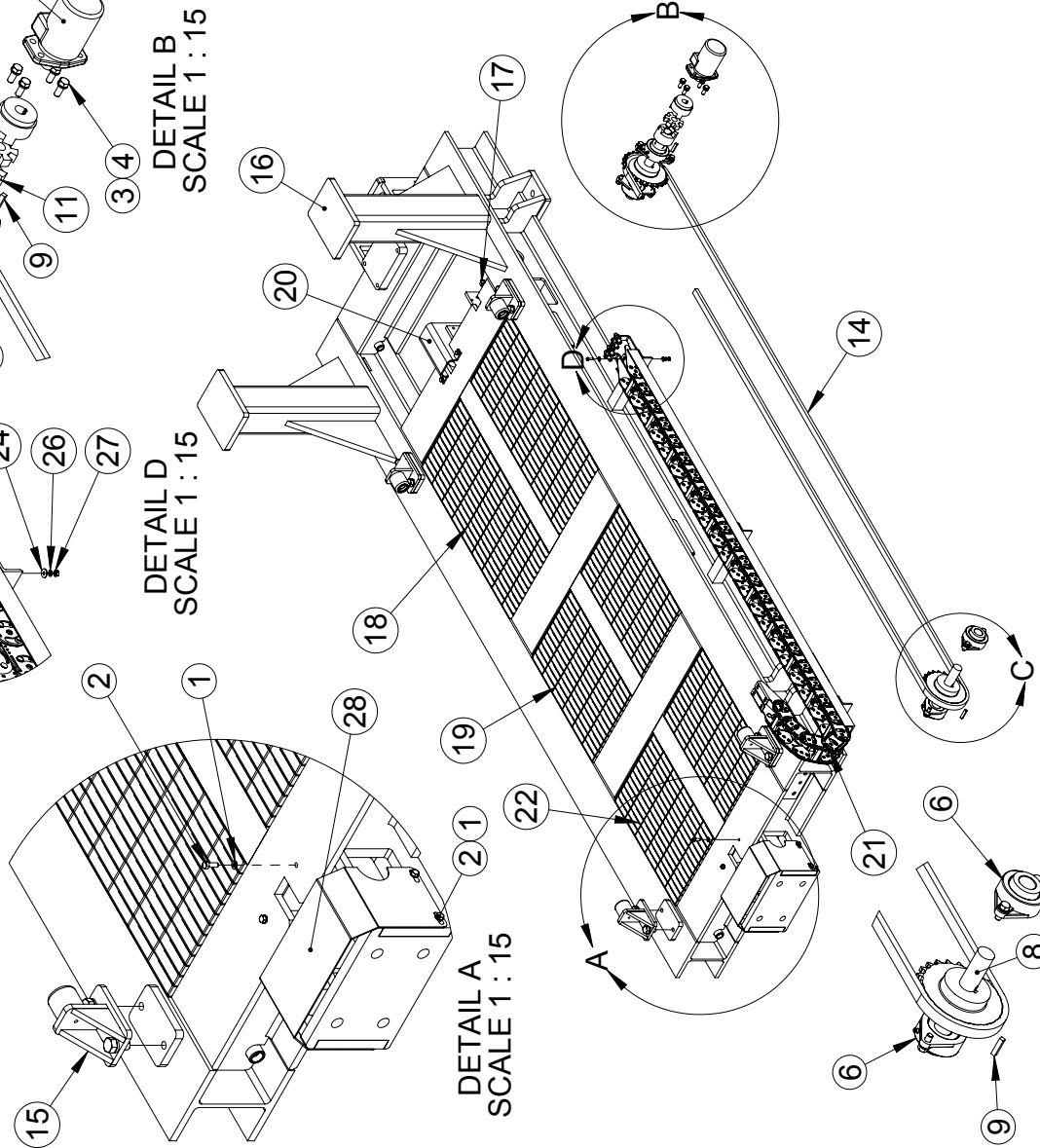
Item #	Qty	Part Number	Part Name
1	8	1027	WASHER LOCK 3/8"
2	8	1047	3/8"-16 X 1" HHCS
3	12	1103	1/2" LOCKWASHER
4	12	1111	1/2"-13 X 1 1/4" HHCS
5	1	502B-6500	TRAVEL SPROCKET SHAFT
6	4	508-3000	1 1/2" SUPPORT STAND BEARING
7	2	509-3000	TRAVEL SPROCKET
8	1	510B-3000	TRAVEL SPROCKET SHORT SHAFT
9	3	510C-3000	TRAVERSE SPROCKET KEY
10	1	511-6500	TRAVEL MOTOR
11	1	515A-3000	1 1/2" L-COUPLING
12	1	515B-3000	MODIFIED 1" L-COUPLING
13	1	515C-3000	L110 SPIDER
14	1	527-6500-12	TRAVEL CHAIN
15	4	540-3000	BUMPER STOP ASSEMBLY
16	1	500A-6500-12	12 FOOT SKID WELDMENT
17	2	6-10 f50x-s	5/8" ORING X 3/8" MJIC
18	2	552A-6516-3	LONG GRATING
19	4	552A-6516-2	LONG GRATING
20	1	515-6500	SPROCKET COVER WELDMENT
21	1	550D-6500	HOSE CARRIER
22	2	8 WTX-S	1/2" MJIC BULKHEAD FITTING
23	4	6 WTX	3/8" MJIC X 3/8" MJIC BULKHEAD CONNECTOR
24	4	1008-B2	1/4" FLATWASHER
25	2	105	1/4"-20 X 1" HHCS GR8
26	2	101	1/4" LOCKWASHER
27	2	100	1/4"-20 HEX NUT GR8
28	1	530-3500	SPROCKET COVER



**DETAIL B**  
**SCALE 1 : 15**



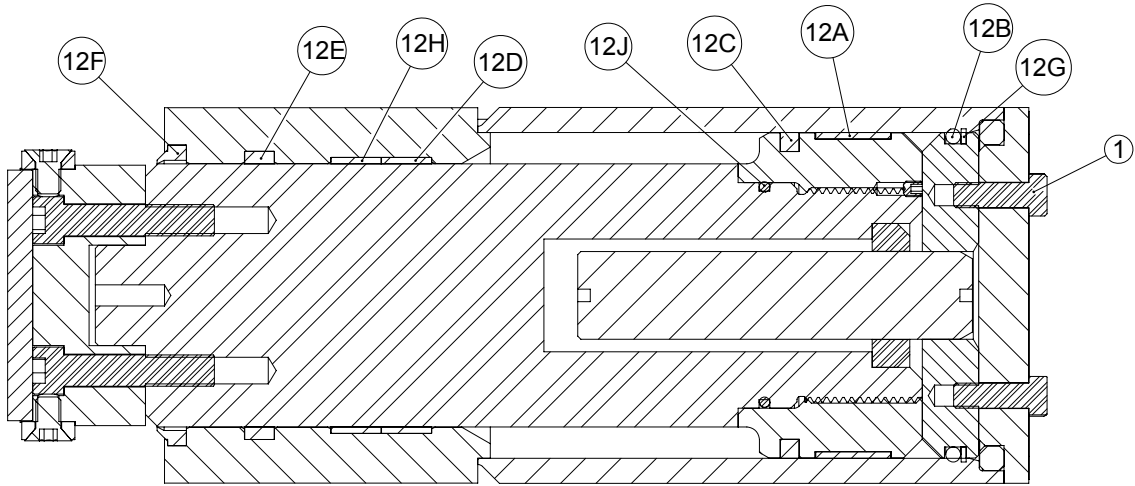
**DETAIL D**  
**SCALE 1 : 15**



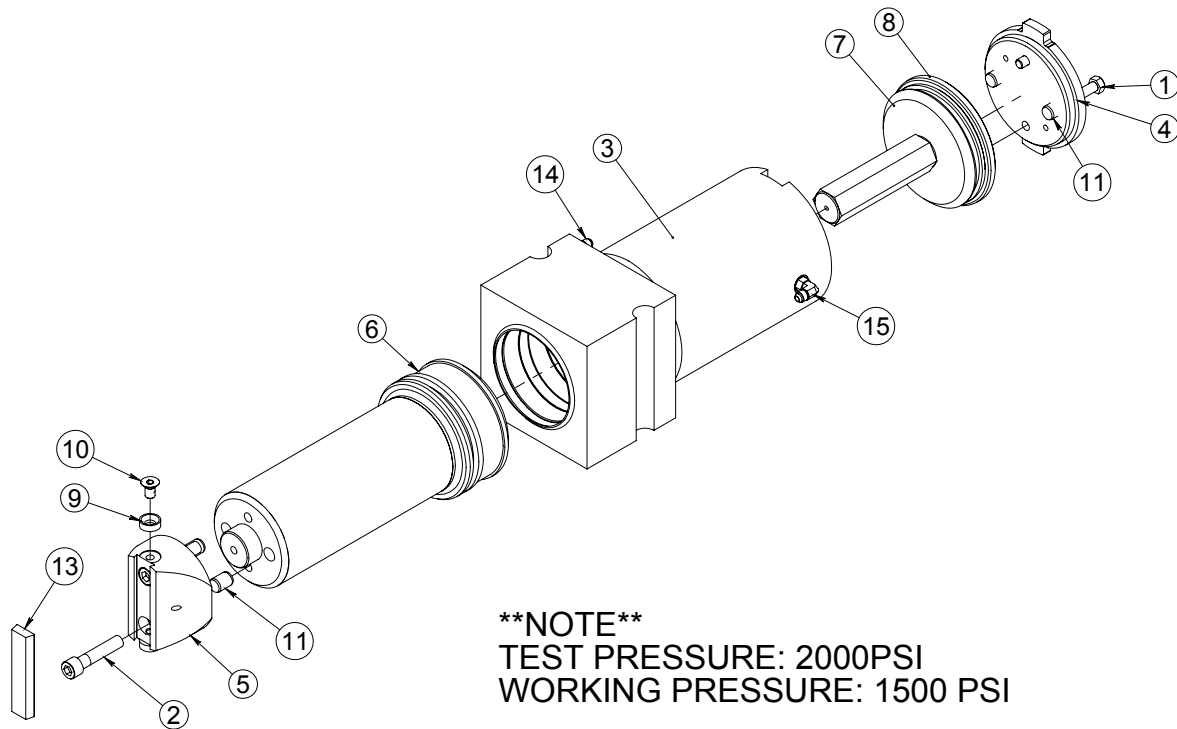
**DETAIL A**  
**SCALE 1 : 15**

**DETAIL C**  
**SCALE 1 : 15**

**400-3000-1**  
**Clamp Cylinder Assembly**



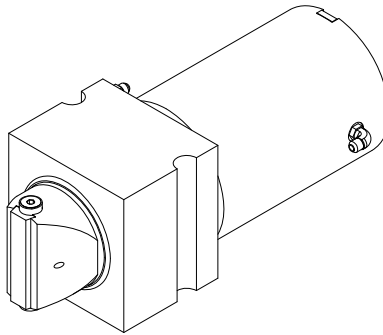
SECTION A-A  
SCALE 1 : 4



**\*\*NOTE\*\***  
**TEST PRESSURE: 2000PSI**  
**WORKING PRESSURE: 1500 PSI**



**400-3000-1**  
**Clamp Cylinder Assembly**

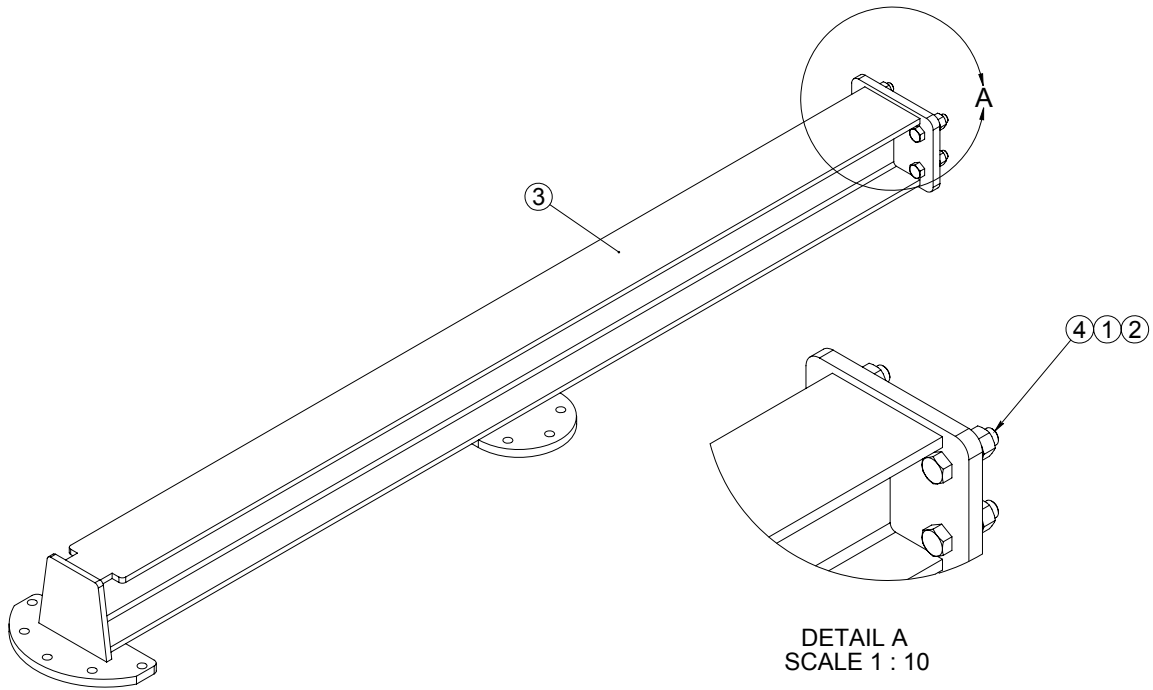


Item #	Qty.	Part Number	Part Name
1	2	1112	1/2"-13 x 1 1/2" HHCS
2	2	260	5/8-11 x 3 SHCS
3	1	400-3000	CYLINDER BLOCK HOUSING WELDMENT
4	1	401-3000-02	END PLATE
5	1	402-3000	STANDARD JAW HOLDER
6	1	403A-3000-2	PISTON ASSEMBLY
7	1	404-3000	SEAL PLATE WELDMENT
8	1	405-3000	SPLIT RING
9	2	408-3000	1/2" WASHER
10	2	91253B	SHCS Flat 1/2"-13 x 7/8"
11	4	400-3001	DOWEL PIN, 3/4" X 1" LG
12	1	400C-3000	SEAL KIT
13	1	DTI1602	1.250W X .500T X 5.000L
14	1	1717	3/8 MJIC X O-RING BOSS ADAPTER STRAIGHT
15	2	1687	3/8" O-RING x 3/8" MJIC ELBOW

SEALS KIT		
12A	W65001500	WEAR BAND
12B	BN70437	O-RING
12C	PS1800-104	PISTON SEAL
12D	W55001000	WEAR BAND
12E	2500-5250-562	ROD SEAL
12F	D-5250	WIPER SEAL
12G	8-436	O-RING BACK UP
12H	W55001000	WEAR BAND
12J	2-346	O-RING

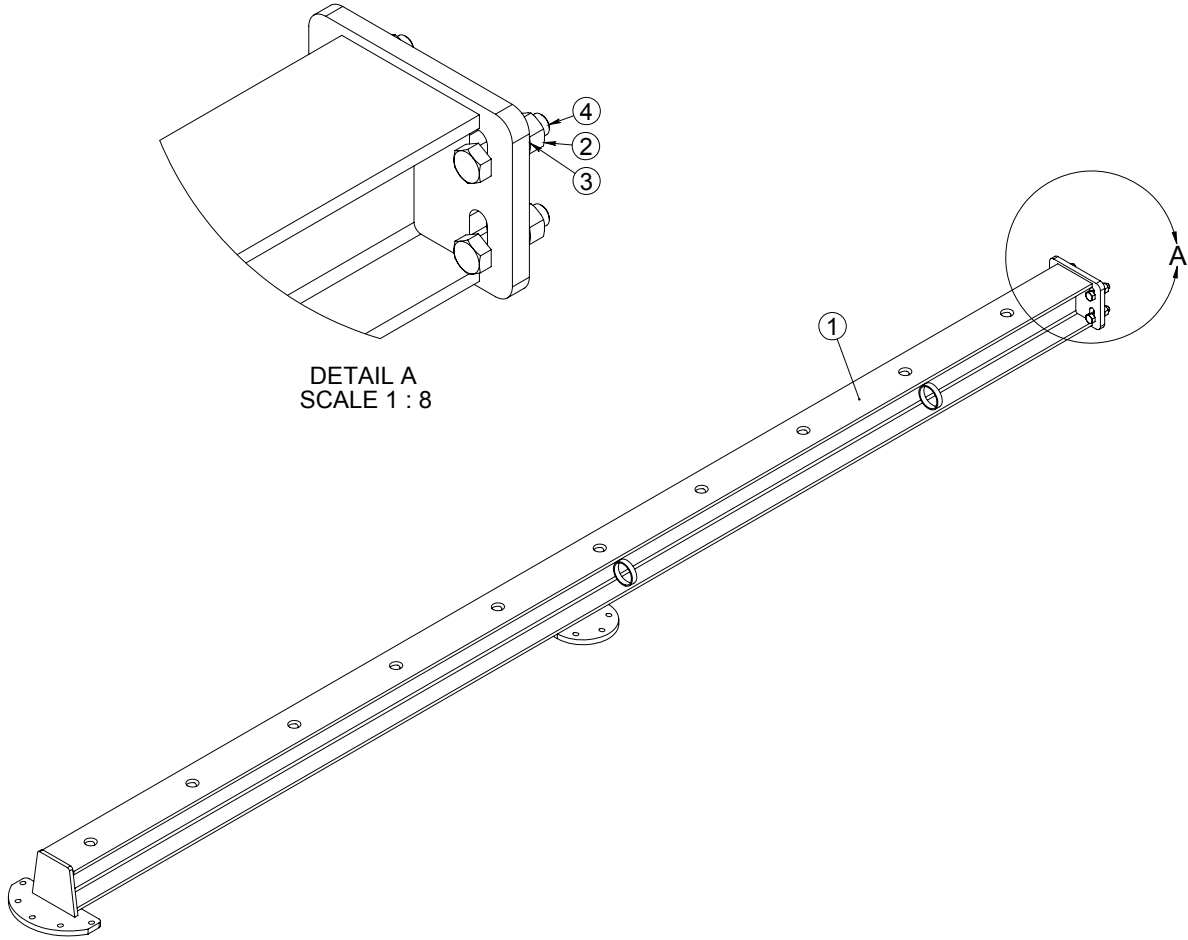
# 1750-3000-1

## 10' Head Stock Extension Beam Assembly



Item #	Qty.	Part Number	Part Name
1	4	1210	1"-8 NUT GR. 8
2	4	1218	1" LW
3	1	1750-3000	10' HEADSTOCK EXTENSION BEAM WELDMENT
4	4	74053	1"-8 X 3 3/4" HHCS

**1150-3000-1**  
**20' Tail Stock Extension Beam Assembly**

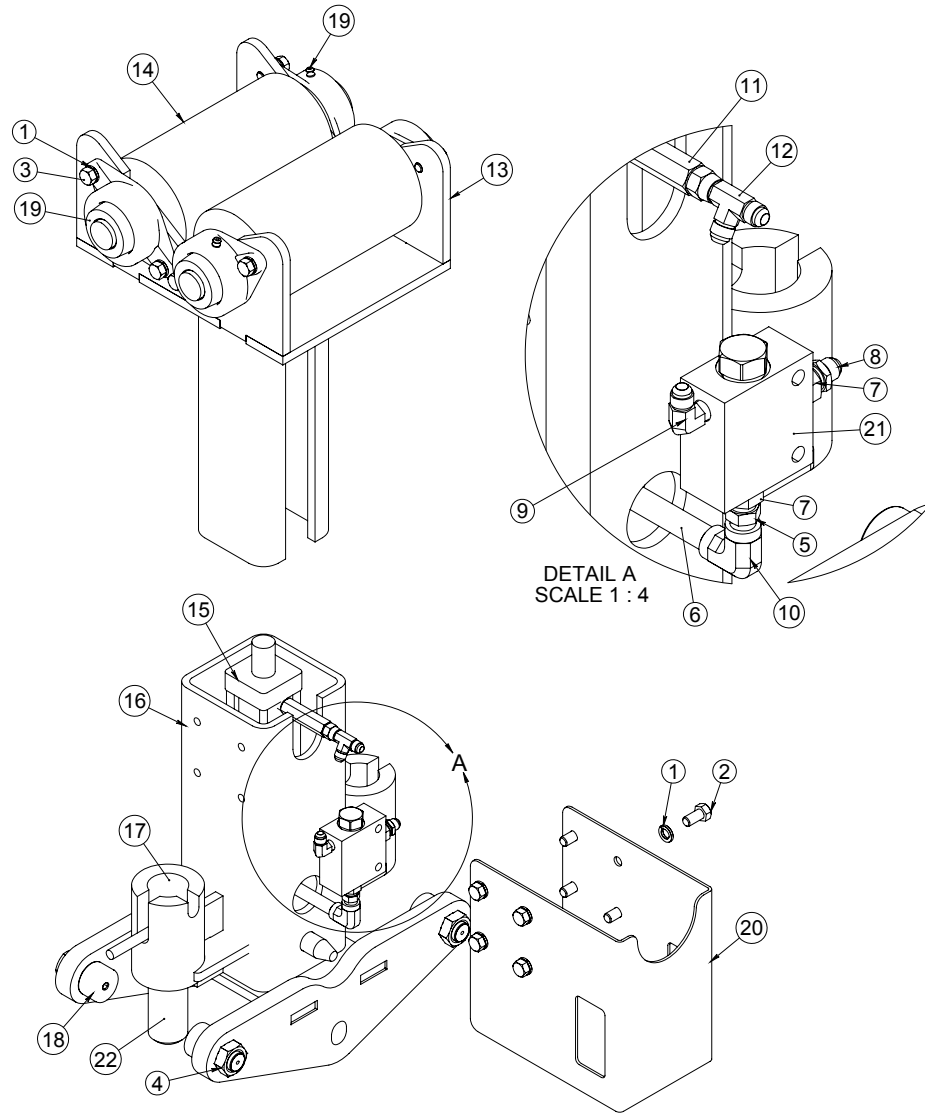


Item #	Qty.	Part Number	Part Name
1	1	1150-3000	20 FEET EXTENSION BEAM WELDMENT
2	4	1210	1"-8 NUT GR. 8
3	4	1218	1" LW
4	4	74053	1"-8 X 3 3/4" HHCS



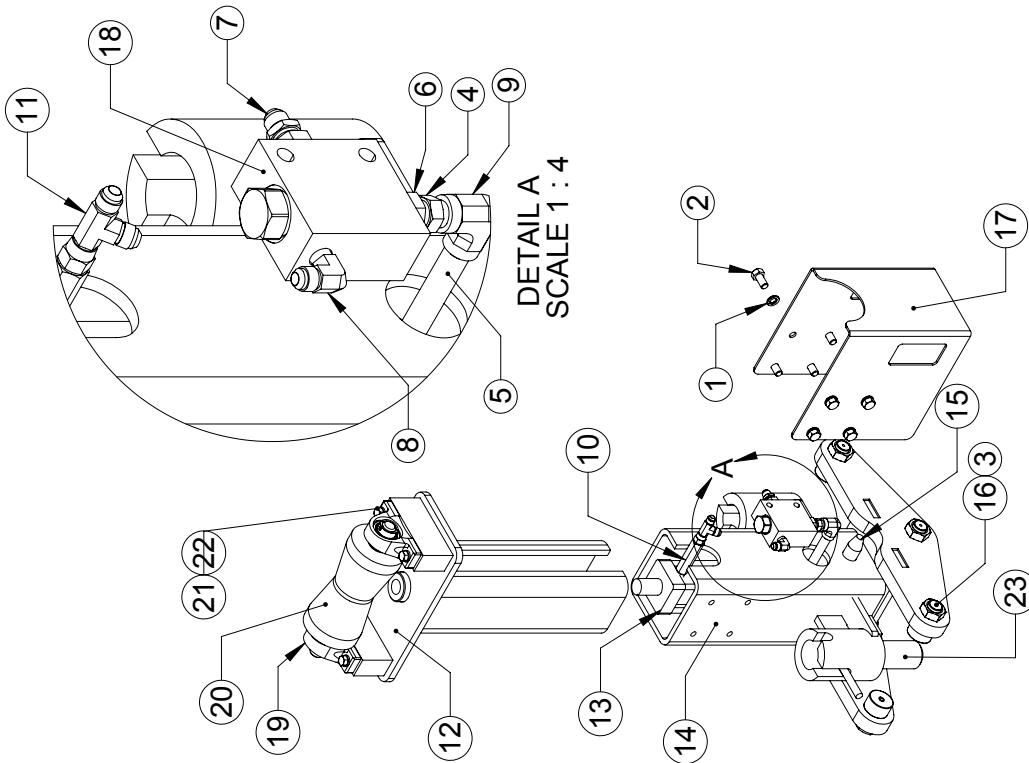
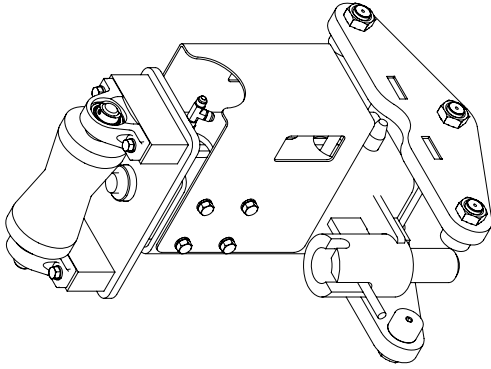
*Page intentionally left blank*

**900-3000-2  
Hydraulic Support  
Jack Assembly**



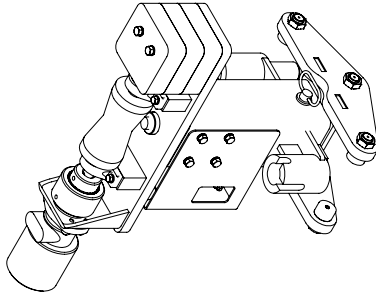
Item #	Qty.	Part Number	Part Name
1	16	1103	1/2" LOCKWASHER
2	8	1110	1/2"-13 x 1" HHCS
3	8	1111	1/2"-13 x 1 1/4" HHCS
4	4	1323	1-14 NYLOCK JAM NUT (1323)
5	1	1457	3/8" HEX NIPPLE
6	1	1488	3/8" X 4-1/2" PIPE NIPPLE
7	2	1491	REDUCER BUSHING 1/2" X 3/8"
8	1	1570	3/8" MNPT X 3/8" MJIC STRAIGHT
9	1	1576-A	1/4" MNPT x 3/8" MJIC ELBOW
10	1	1580	90 3/8" F X F NPT
11	1	2404-LL-06-06	3/8" MJIC X 3/8" MNPT ST. EXTRA LONG
12	1	6 R6X-S	3/8" FJIC X 3/8" MJIC RUN TEE
13	1	901-3000	TOP SUPPORT WELDMENT
14	2	901A-3000-1	RED ROLLER
15	1	901D-3000-2	2" BORE CYLINDER WITH 8" STROKE
16	1	902-3000	BOTTOM SUPPORT WELDMENT
17	1	902B-3000-1	1" X 7 3/4" HITCH PIN
18	4	902D-3000-1	1 3/4" CAM FOLLOWER W/ 1" STUD
19	4	508-3000	1 1/2" SUPPORT STAND BEARING
20	1	905-3000	SUPORT STAND VALVE COVER
21	1	BUC5524	PILOT OPERATOR CHECK VALVE
22	1	9112-7000-01	LOCKING PIN WELDMENT

**900-3000-6**  
**Hydraulic Support**  
**Jack Assembly**

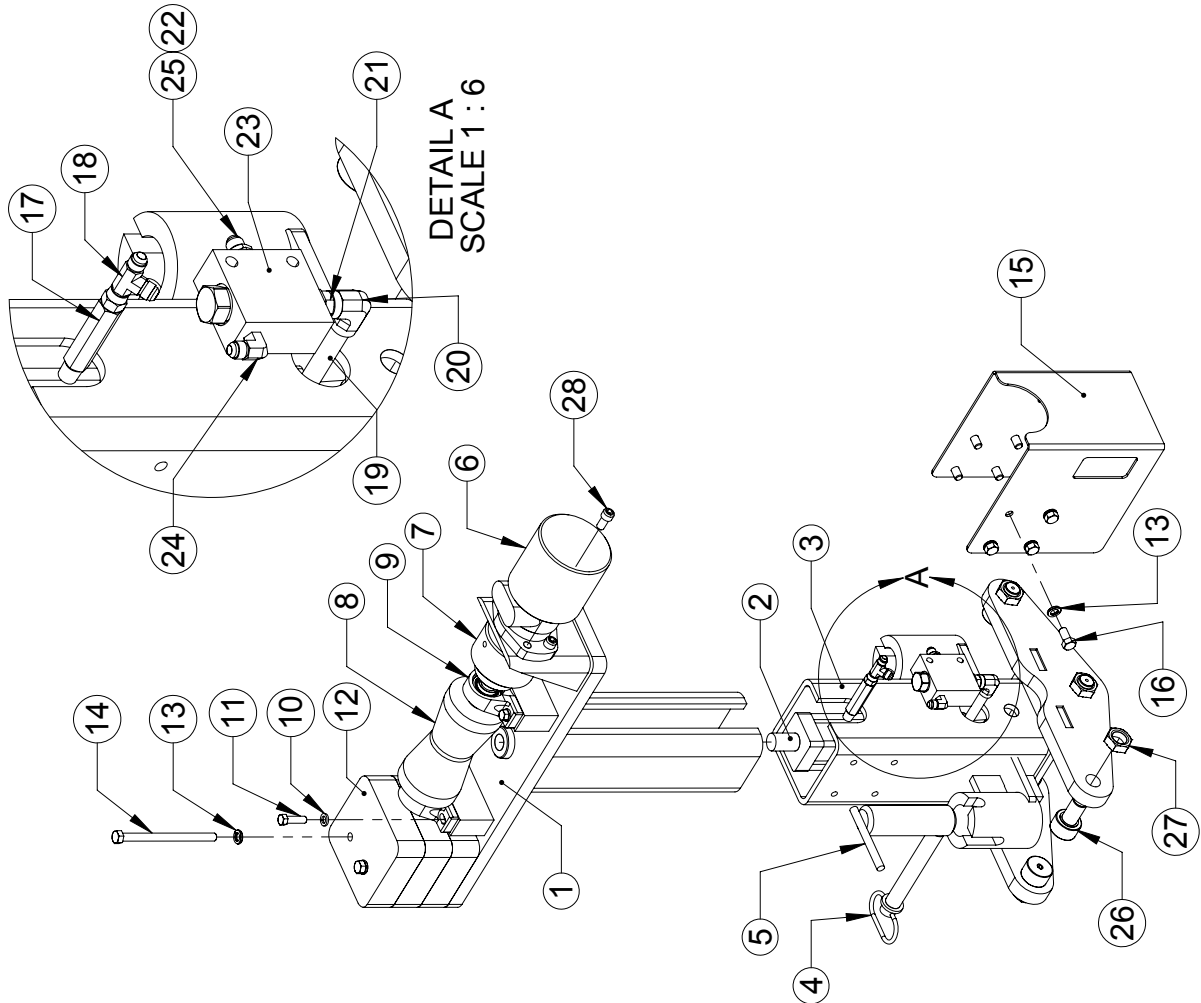


Item #	Qty.	Part Number	Part Name
1	8	1103	1/2" LOCKWASHER
2	8	1110	1/2"-13 x 1" HHCS
3	6	1323	1-14 NYLOCK JAM NUT (1323)
4	1	1457	3/8" HEX NIPPLE
5	1	1488	3/8" X 4-1/2" PIPE NIPPLE
6	2	1491	REDUCER BUSHING 1/2" X 3/8"
7	1	1570	3/8" MNPT X 3/8" MJIC STRAIGHT
8	1	1576-A	1/4" MNPT x 3/8" MJIC ELBOW
9	1	1580	90 3/8" F X F NPT
10	1	2404-LL-06-06	3/8" MJIC X 3/8" MNPT ST. EXTRA LONG
11	1	6 R6X-S	3/8" FJIC X 3/8" MJIC RUN TEE
12	1	901-3000-01	TOP SUPPORT WELDMENT
13	1	901D-3000-2	2" BORE CYLINDER WITH 8" STROKE
14	1	902-3000	BOTTOM SUPPORT WELDMENT
15	1	902B-3000-1	1" X 7 3/4" HITCH PIN
16	6	902D-3000-1	1 3/4" CAM FOLLOWER W/ 1" STUD
17	1	905-3000	SUPORT STAND VALVE COVER
18	1	BUC5524	PILOT OPERATOR CHECK VALVE
19	2	1922	1" PILLOW BLOCK BEARING
20	1	CB7006-03M	IDLER PINCH ROLLER
21	4	156	7/16"-14 X 1 1/2" HHCS
22	4	1081	7/16" LOCKWASHER
23	1	9112-7000-01	LOCKING PIN WELDMENT

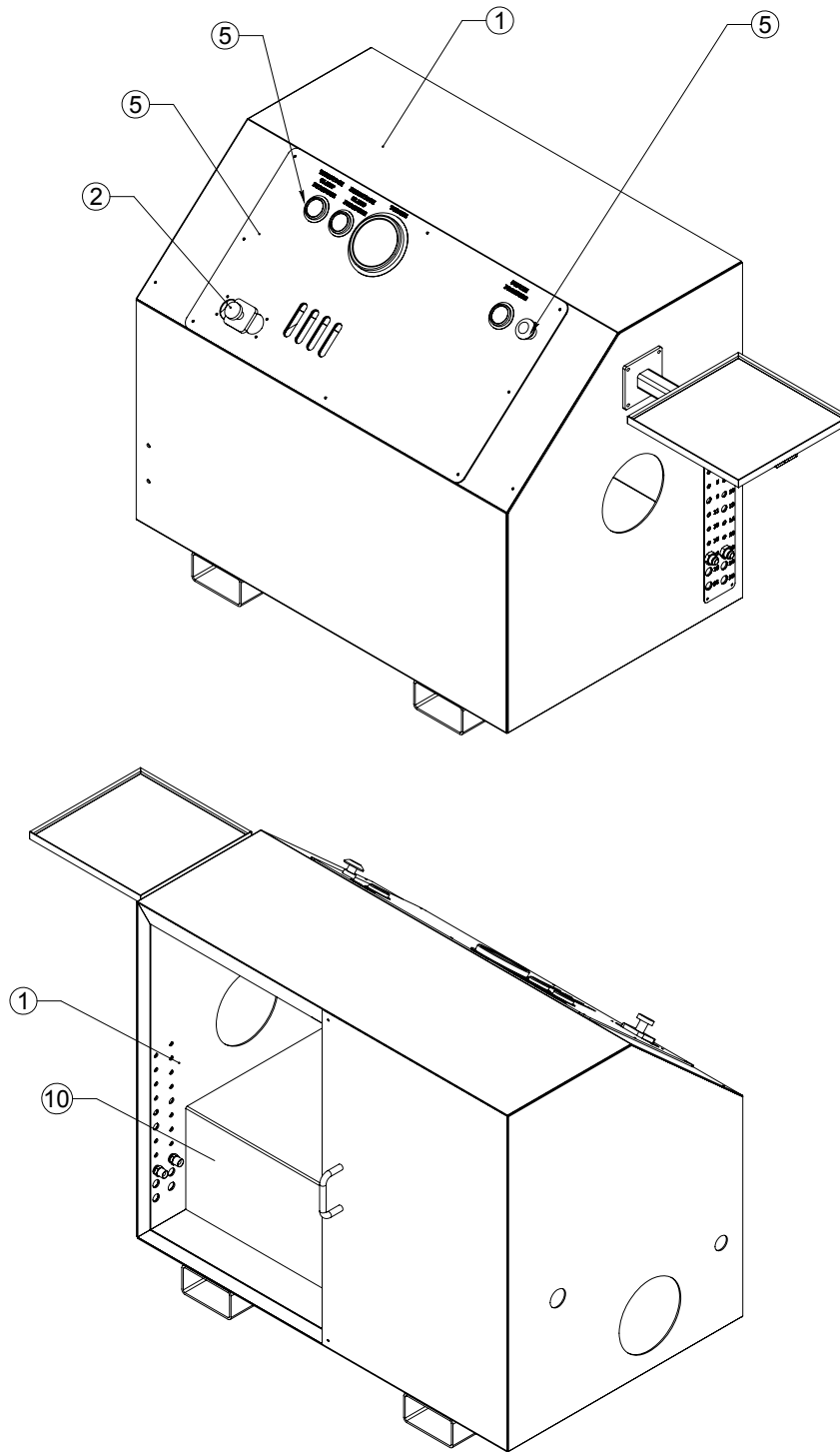
# 900-3000-8 Hydraulic Support Jack Assembly



Item #	Qty.	Part Number	Part Name
1	1	907-3000-01	WELDMENT SUPPORT TOP
2	1	901D-3000-2	2" BORE CYLINDER WITH 8" STROKE
3	1	902-3000	BOTTOM SUPPORT WELDMENT
4	1	902B-3000-1	1" X 7 3/4" HITCH PIN
5	1	9112-7000-01	LOCKING PIN WELDMENT
6	1	VB1029	HYDRAULIC MOTOR - 45.5 cu. inch/rev.
7	1	909-7018	1" SPLINE COUPLING
8	1	CB7006-02M	MOLDED ROLLER
9	2	1922	1" PILLOW BLOCK BEARING
10	4	1081	7/16" LOCKWASHER
11	4	156	7/16"-14 X 1 1/2" HHCS
12	3	909-3000	BALLAST
13	10	1103	1/2" LOCKWASHER
14	2	X2-87	HHCS 1/2"-13 X 7"
15	1	905-3000	SUPPORT STAND VALVE COVER
16	8	1110	1/2"-13 x 1" HHCS
17	1	2404-LL-06-06	3/8" MJIC X 3/8" MNPT ST. EXTRA LONG
18	1	R6X-S	3/8" FJIC X 3/8" MJIC RUN TEE
19	1	1488	3/8" X 4-1/2" PIPE NIPPLE
20	1	1580	90 3/8" F X F NPT
21	1	1457	3/8" HEX NIPPLE
22	2	1491	REDUCER BUSHING 1/2" X 3/8"
23	1	BUC5524	PILOT OPERATOR CHECK VALVE
24	1	1576-A	1/4" MNPT x 3/8" MJIC ELBOW
25	1	1570	3/8" MNPT X 3/8" MJIC STRAIGHT
26	6	902D-3000-1	1 3/4" CAM FOLLOWER W/ 1" STUD
27	6	1323	1-14 NYLOCK JAM NUT (1323)
28	4	246	1/2-13 x 1 SHCS

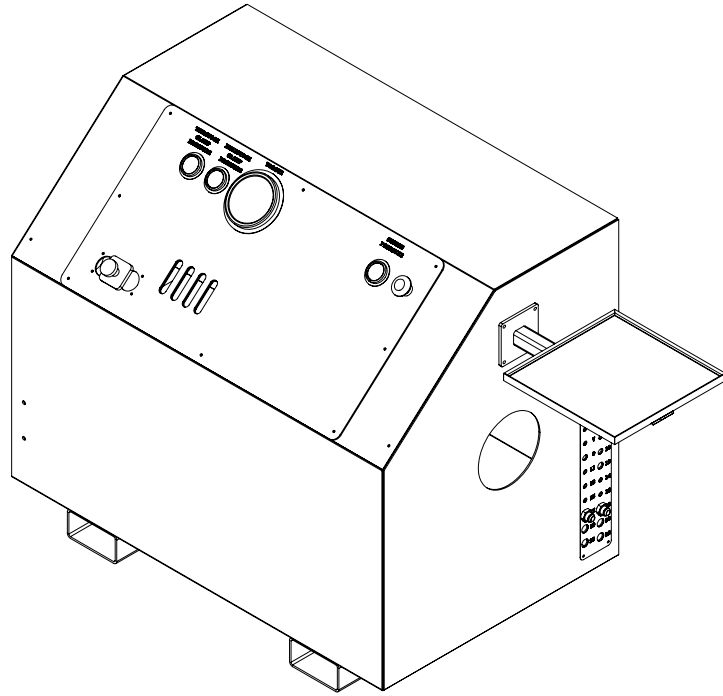


**100-6500-1**  
**Control Console / Power Unit Assembly**





**100-6500-1**  
**Control Console / Power Unit Assembly**



Item #	Qty.	Part Number	Part Name
1	1	100-6500	CONSOLE WELDMENT
2	1	130-6500	PRESSURE CONTROL VALVE
3	1	132-6500	0-1000 PSI GAUGE
4	3	133-6500	0-3000 PSI GAUGE
5	1	150-6500	TOP COVER PLATE
6	1	Stop Button	
7	1	CLEBU1210-01	TORQUE COMPUTER MOUNT (EXTENDED)
8	2	12 WFTX-S	3/4" BULKHEAD CONNECTOR MNPT
9	1	152-6500	BULKHEAD COVER
10	1		POWER UNIT



*Page intentionally left blank*

# TROUBLE SHOOTING

## HYDRAULIC SYSTEM

### Hydraulic Pump Making Excessive Noise:

<u>Problem</u>	<u>Solution</u>
A) Restricted or clogged intake line	Clean line, check for contamination.
B) Contaminated fluid	Flush system change fluid.
C) Restricted vent	Clean or replace air vent.
D) Air in fluid	Check for leaks and be certain fluid suction in tank is well below hydraulic fluid in reservoir.
E) Damaged or worn parts	Repair or replace damaged parts, check fluid for contamination.
F) Excessive RPM (I/C engines only)	Check PTO, gears and recommended speed to assure proper pump is in-stalled for operation.
G) Increased friction	Make sure pump has been assembled using correct torque valves.
H) Damaged or worn relief valve	Replace relief valve.
I) Damaged or worn check valve	Replace check valve.
J) Restricted discharge	Check to make sure relief valve is set to proper pressure.
K) Valve system restricted	Inspect and repair or replace defective parts, check system for contamination.
L) High operating temp	Check for low hydraulic oil level, inspect and replace dirty oil filters, check for restrictions to return circuit

### Excessive Wear to Hydraulic Components:

<u>Problem</u>	<u>Solution</u>
A) Fluid contamination	Flush fluid system, replace with new fluid.
B) Components misaligned	Inspect and realign
C) High operating pressures	Gauge and set to proper pressure.
D) Exhausted fluid (depletion of additives)	Flush fluid system, replace with new fluid.
E) Air in fluid	Check for leaks, and be certain fluid suction in tank is well below hydraulic fluid in reservoir.

# TROUBLE SHOOTING

## HYDRAULIC TONG SECTION

### Problem

- A) Shortened bearing life

### Solution

Check alignment, insure proper lubrication to non-sealed bearings.

## Slow Tong Speed:

### Problem

- A) Restricted supply line
- B) Low fluid level
- C) Air leak
- D) Pump speed insufficient
- E) Damaged or worn equipment
- F) Pump not primed
- G) Low or no flow from supply line

### Solution

Verify proper hi/low speed setting. Clear supply line and check intake on reservoir.

Add fluid to proper volume.

Locate and repair leak.

Assure proper pump speed for application.

Isolate pump and check pressure to determine whether motor or pump is defective. Repair or replace defective part.

Check fluid viscosity and restrictions of intake line. Replace fluid if inadequate for operating temperature.

Check to assure couplings are securely fastened.

## Insufficient Torque:

### Problem

- A) Relief valve malfunctioning
- B) Damaged or worn pump parts
- C) Slow pump speed
- D) Improper system fluid
- E) Directional control valve set improperly
- F) Damage to motor
- G) Restriction of supply line, excessive back pressure
- H) Defective gauge or load cell

### Solution

Relief set too low, broken valve spring, contamination or defective seals.

Inspect, repair or replace.

Assure proper pump speed for application.

Check fluid viscosity and replace fluid if inadequate for operating temperature.

Check relief and directional control valve. Neutral should return slightly to reservoir.

Inspect, repair or replace.

Check to assure couplings are securely fastened.

Inspect, repair or replace. Assure unit has been calibrated to proper arm length. NOTE: When using **CLINCHER®** integral backup system, it is the length of backup arm, NOT the tong arm length.

# TROUBLE SHOOTING

## Failure to Grip Tubulars:

<u>Problem</u>	<u>Solution</u>
A) Jaws move out from neutral, but fail to penetrate	Inspect size of both the die holder and dies. Verify range at console and replace with dies compatible with tubular range.
B) Jaws fail to move out of neutral	Inspect and replace defective cylinders for debris or damage. Remove rust and debris from jaws, and jaw pockets. Repair, replace and lubricate as needed.
C) Tong will not release from tubular	Confirm system pressure is adequate to unlock valve. Inspect Directional Control Valves.
D) Motor runs but Tong does not rotate	Inspect and replace defective chain, sprocket or gear reducer.
E) Tong binds under light load	Inspect and replace defective parts. Damaged hub or bearings.
F) Tong rotates while control lever is in neutral	Replace control valve.
G) Hydraulic fluid leaking from motor	Repair or replace motor. Verify case drain is open to reservoir.
H) Clamping cylinders are not synchronized	Resync by fully retracting and extending through several cycles. Inspect damaged lines & fittings, check for other restrictions. Individually check each cylinder for fluid leakage. Replace flow divider.

## HYDRAULIC BACKUP SYSTEM

### Backup Fails to Hold Tubular:

<u>Problem</u>	<u>Solution</u>
A) Incorrect die for size tubular	Check pipe O.D. and match die size to pipe O.D.
B) Dies have material compacted in tooth area	Clean dies with wire brush and inspect for worn teeth. Replace with new dies if necessary.
C) Power unit pressure set incorrectly	Inspect relief valve on power unit to make sure enough system pressure is being delivered to backup.
D) Counter balance valve not holding pressure	Remove side plates on backup. Bench test and replace the counter balance valve defective.
E) Internal leakage in backup cylinder	Disconnect lines and bench test cylinder. Repair or replace as necessary.
F) Jaws will not retract	Counter balance valve is stuck. Replace counter balance valve.
G) External leakage of cylinder	Repair or replace cylinder.
H) Control valve set to neutral, but jaws extend	Inspect control valve for damage and/or incorrect spool. Repair or replace as necessary.

# TROUBLESHOOTING

## Problem

## Solution

I) Excessive hydraulic leaks

The presence of some hydraulic oil on hydraulic cylinder rods and swivels is expected and required to lubricate rod seals. Continuous dripping or stream indicates a failure. If failure is suspected, replace all cylinder seals.

J) Die insert slippage and breakage

Ensure clamping pressure is adequate. Ensure holder and dies are appropriate for pipe size. Ensure dies are aligned with pipe centerline. Ensure dies are not gripping on tooljoint hardbanding.



*Page intentionally left blank*



[www.mccoysglobal.com](http://www.mccoysglobal.com)