

DOT 100x17 P+N SUPERFAST

DOT 100x25 P+N SUPERFAST

BLENDED DOT PEEN MARKING

- Blended **top-speed** micro-dot marking station. With all the advantages of a marking station and a portable marking unit. Designed for companies with a wide variety of pieces, including those whose dimensions mean it is better to mark on the production line. Especially recommended for **VIN** marking in the **automobile industry**.



ADVANTAGES

- **Maximum flexibility**, combining a marking station with a portable marking unit.
- **Maximum marking speed**, for all kinds of materials and hardnesses up to 62HRC.
- **Versatility in the size of the pieces to be marked**, thanks to regulation up to 250 mm in height, so you can mark everything from thin sheets to large pieces, including fastening.
- Highly **robust and long-lasting**, thanks to the high quality of its components.
- Circular connector to facilitate assembly and disassembly.
- T-slot, facilitating **placement of marking tools**.
- Possibility of anchoring the table to a surface for **greater stability**.
- COUTH brand is backlit with two-colour LED, providing **visual identification of the marking machine's status**.
- Can mark **large pieces**.
- **Ergonomic and lightweight**, it facilitates access to any position and handling for the user.
- Possibility of purchasing with **window kit** to increase the machine's support on the piece, guaranteeing **higher marking quality**. (Code 2276550)

CHARACTERISTICS

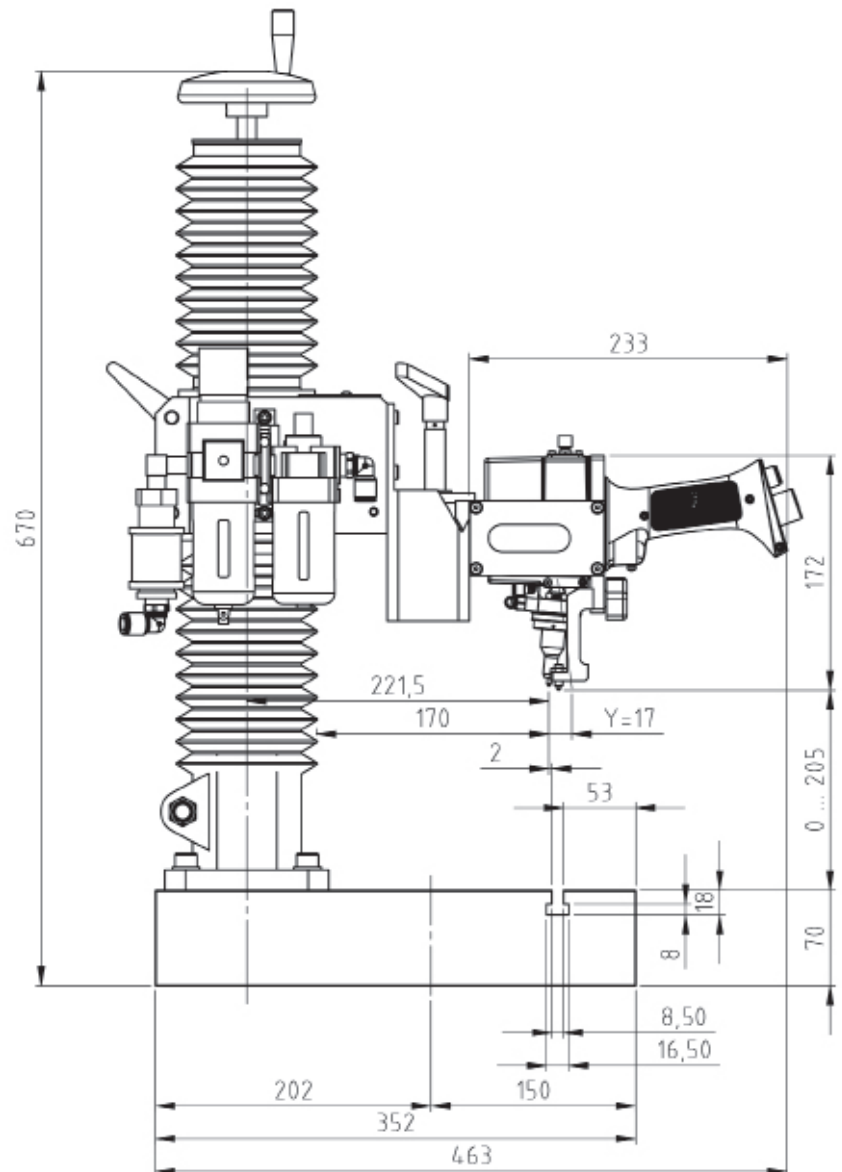
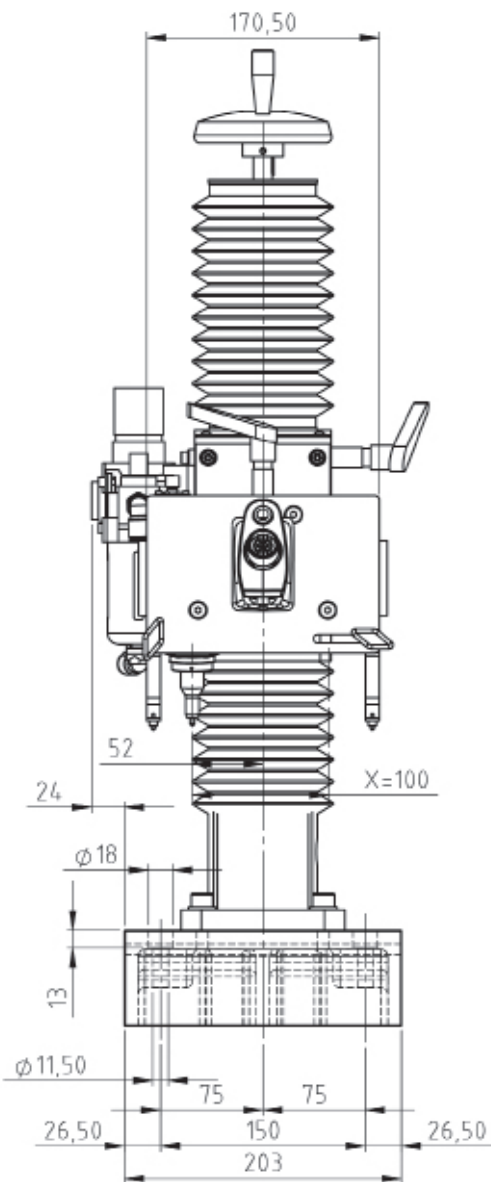
- 100 by 17 mm marking area.
- 100 by 25 mm marking area.
- Speed up to 16 characters/second.
- Hardness of materials to mark up to 62HRC.
- 6-bar air pressure.
- Table for placing tools and plate stand.
- Column with height regulation up to 250 mm
- Different head types, depending on marking needs: pneumatic (N7SB, N14SB, N20SB) and electric (S2, S6).
- Protection system that is easy to assemble and disassemble.
- 5-metre robotics wire
Other lengths: 10 and 15 metres.
- Marking alphanumeric codes, logotypes, DATAMATRIX™, QR codes, etc.
- Connection with **COUTHsmartbox** control for integration into production lines (see technical specifications for more information).
- PC edition programme:
 - **COUTHvector**, logotype creation.
 - **COUTHedit**, marking file creation.
 - **COUTHmonitor**, machine status monitoring.
- **COUTHlink**. Library to facilitate connectivity between COUTHsmartbox and the production line PLC.

**DOT 100x17 P+N
SUPERFAST**

BLENDED DOT PEEN MARKING

DIMENSIONS

DOT 100X17 P+N

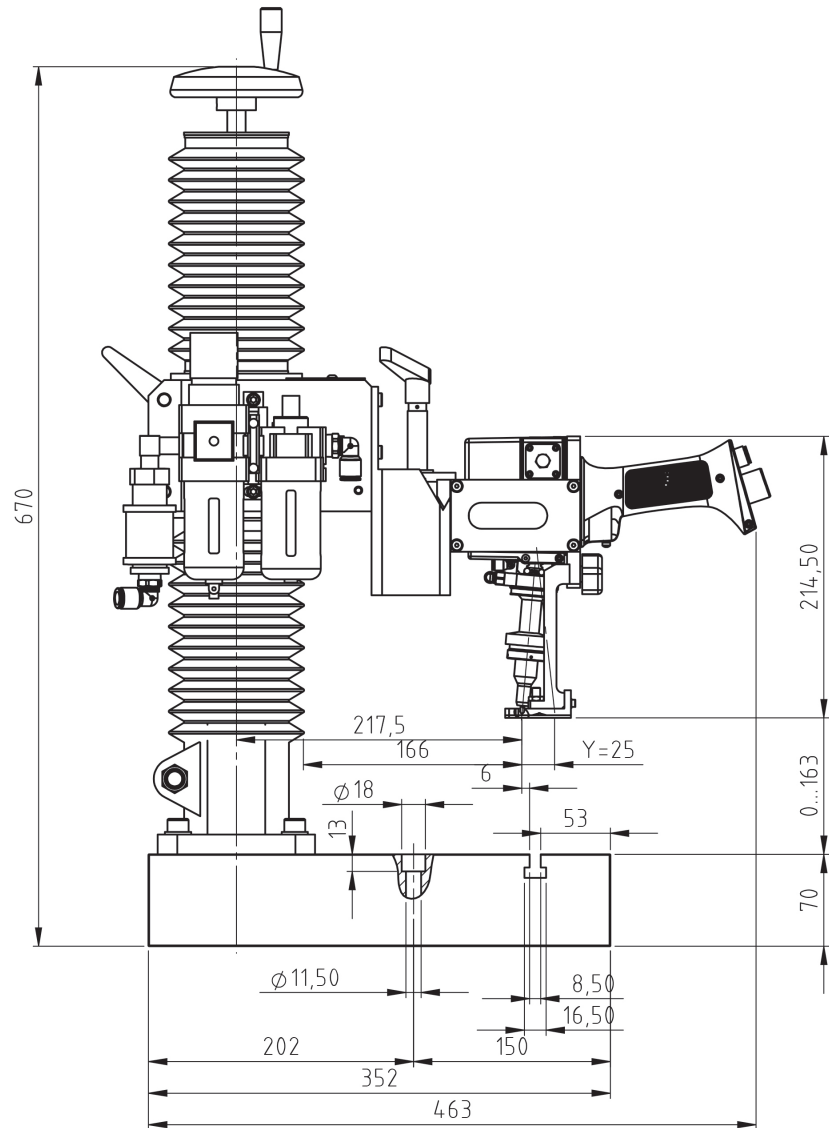
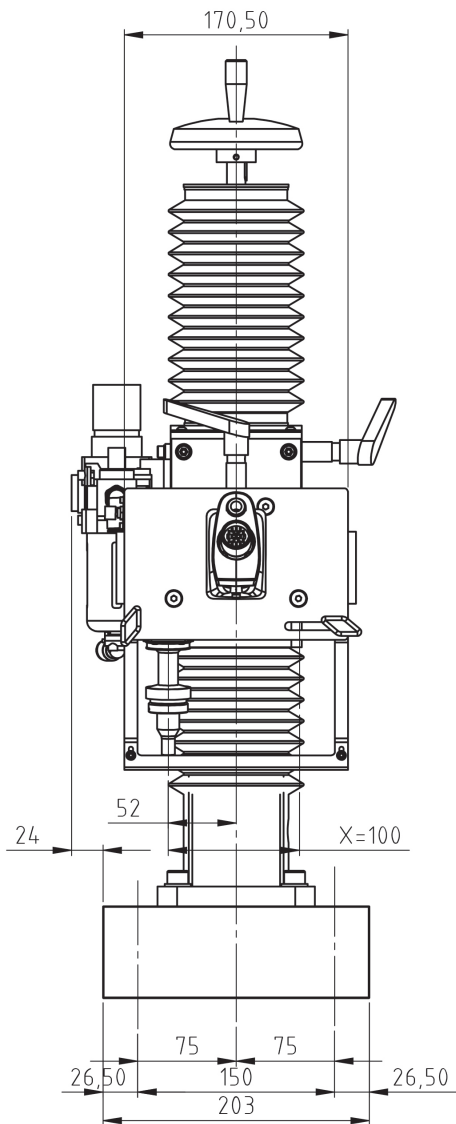


**DOT 100x25 P+N
SUPERFAST**

BLENDED DOT PEEN MARKING

DIMENSIONS

DOT 100X25 P+N

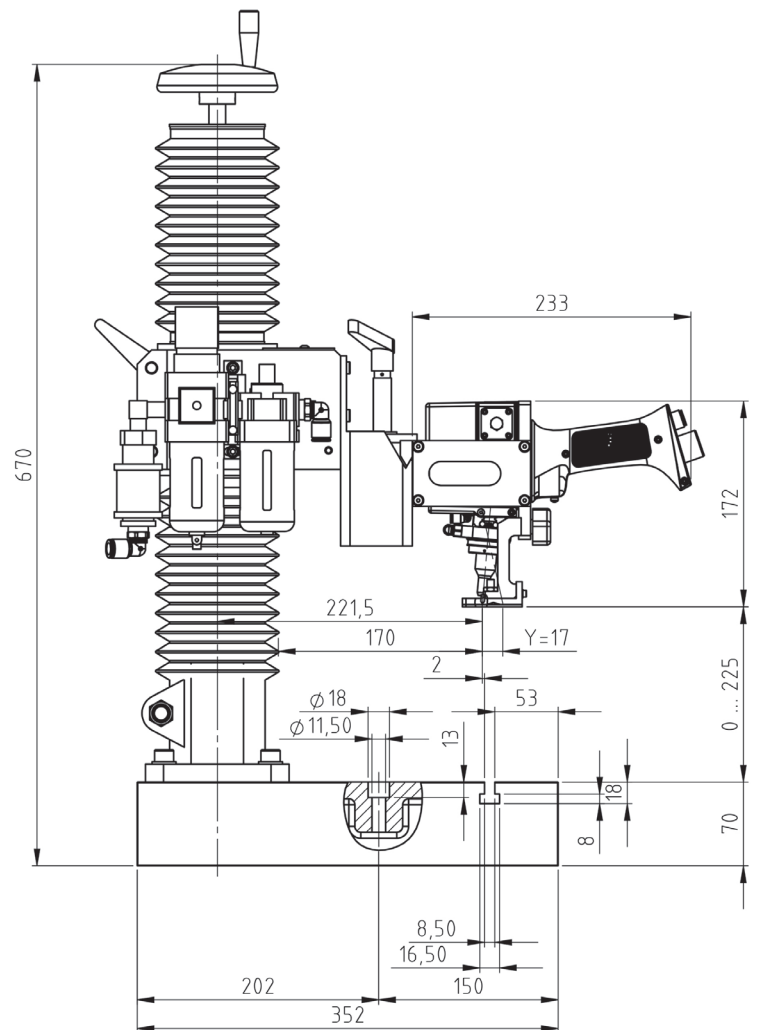
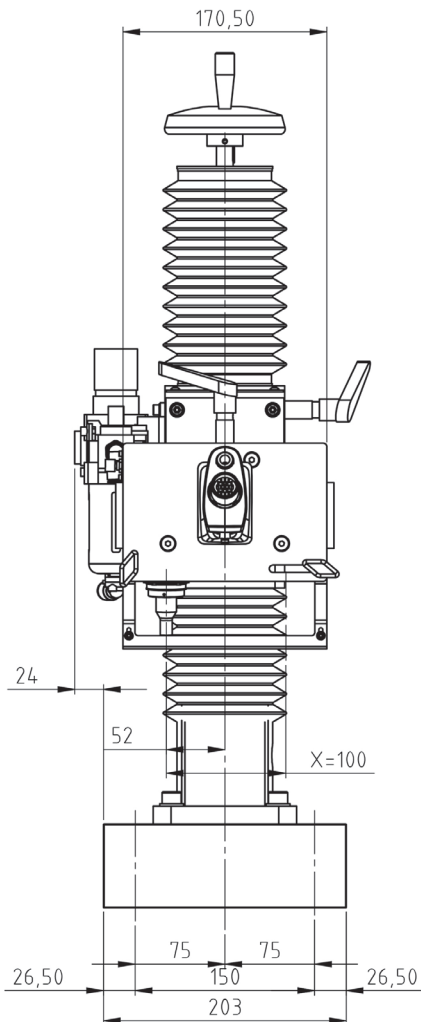


DOT 100x17 P+N SUPERFAST

BLENDED DOT PEEN MARKING

DIMENSIONS

DOT 100X17P+N WITH WINDOW KIT (CODE 2276550)



**DOT 100x25 P+N
SUPERFAST**

BLENDED DOT PEEN MARKING

DIMENSIONS

DOT 100X25P+N WITH WINDOW KIT (CODE 2276550)

