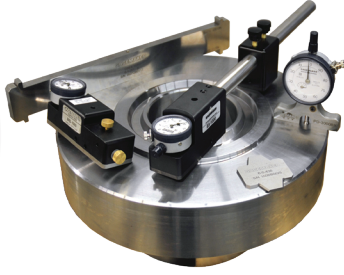


RING GROOVE INSPECTION



GAGEMAKER DETERCO, INC.

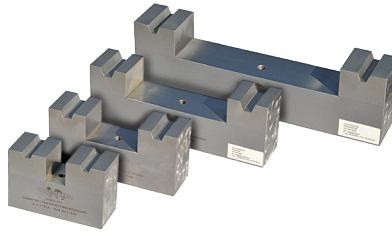
Required Equipment



Major/Minor Diameter Gage



Groove Width Gage



Face Groove & Hole Location Standards (FSBX)



Amplifier Gage



BX Height Setting Gage



Dog Bone Paddle Gage



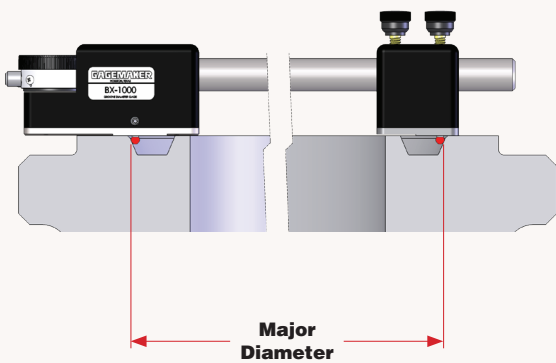
MIC TRAC™ BX Setting Blocks



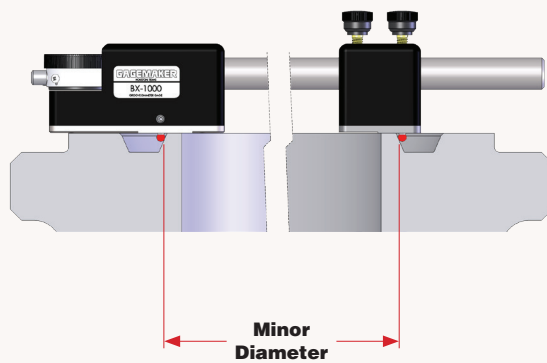
Groove Width Profile

Ring Groove Inspection Process

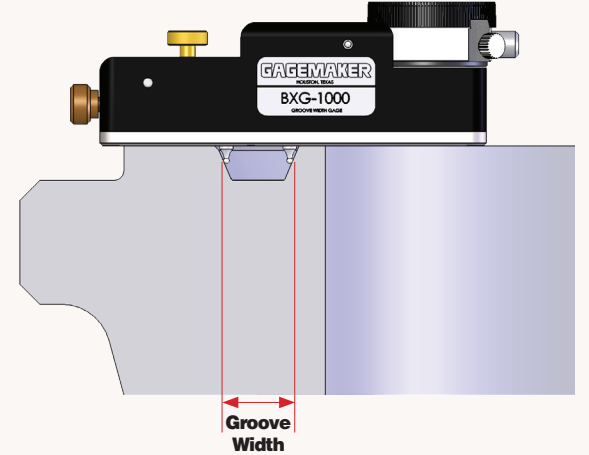
Major Diameter



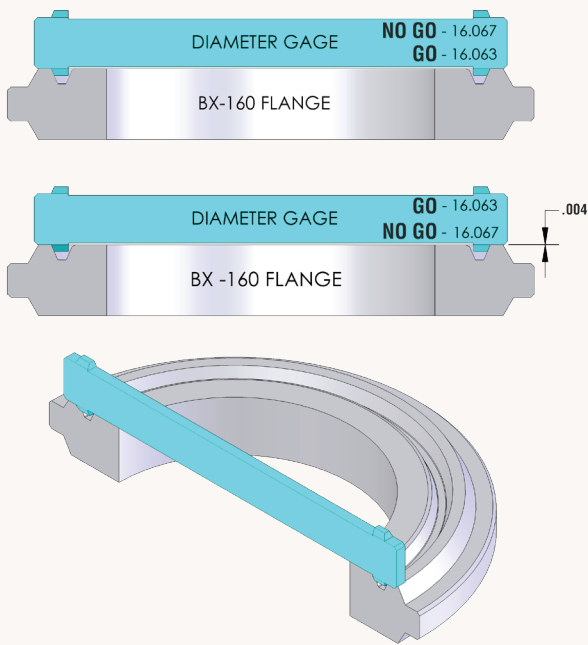
Minor Diameter



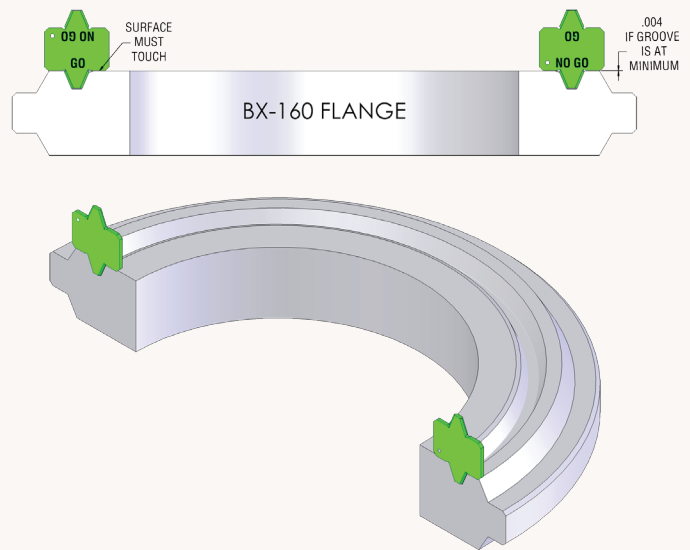
Groove Width



Diameter Profile



Width Profile

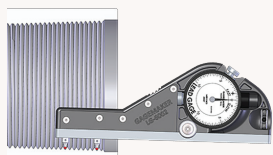


Additional Inspection Process for Wellhead Equipment and Internal API Threads

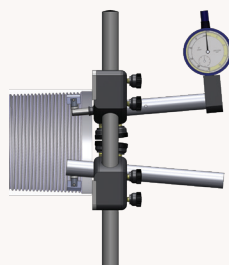
Step 1: Thread Form



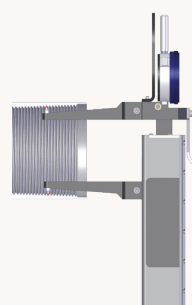
Step 2: Thread Lead



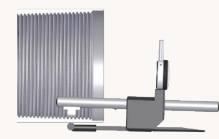
Step 3: Ovality & Crest Diameter



Step 4: Thread Taper



Step 5: Thread Height



Step 6: Thread Length

