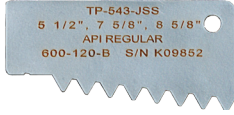


STRAIGHT THREAD INSPECTION



GAGEMAKER[®] DETERCO, INC.

Required Equipment



Thread Profile



Lead Gages



Pitch Diameter Gages



Functional Size Gages



Thread Height Gages



Gage Blocks



Contact Points



Hex Wrench



Standards



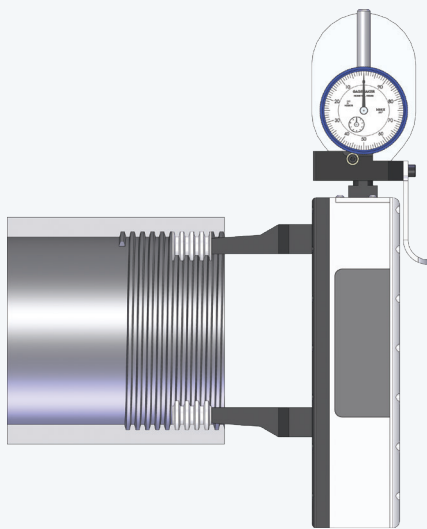
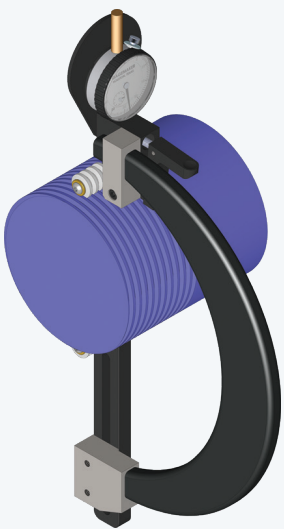
Thread Rolls



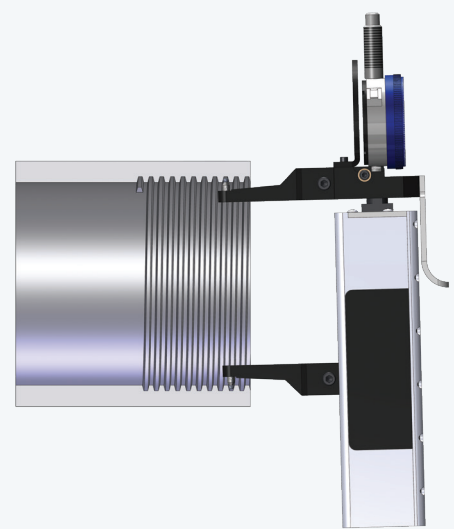
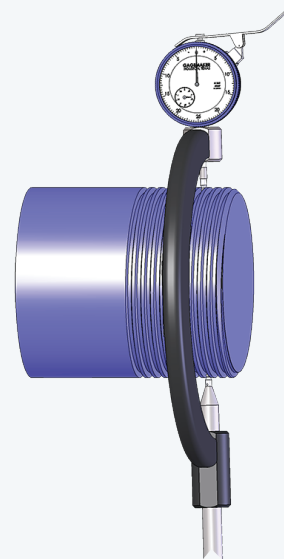
TDWIN™ Setup Sheet

Inspection Process

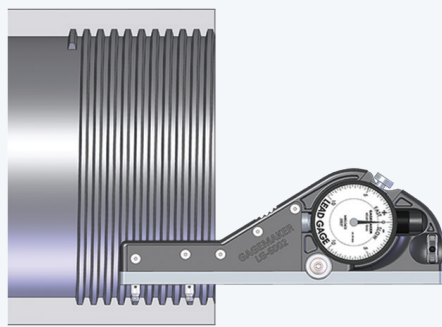
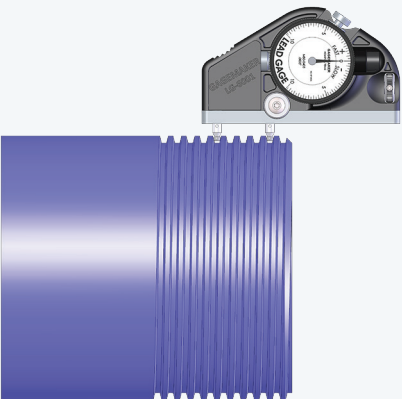
Step 1: Functional Size



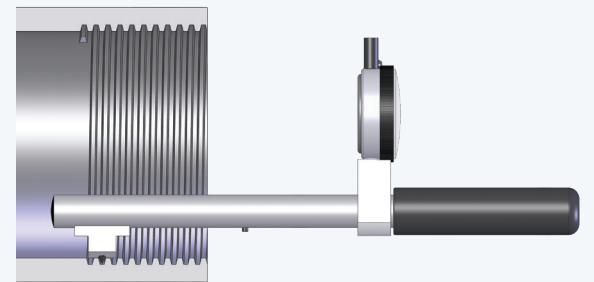
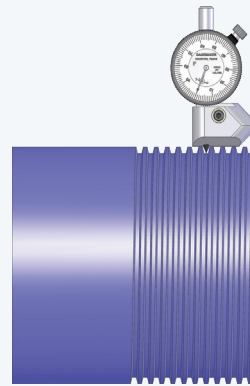
Step 2: Pitch Diameter



Step 3: Thread Lead



Step 4: Thread Height



Step 5: Thread Form

